






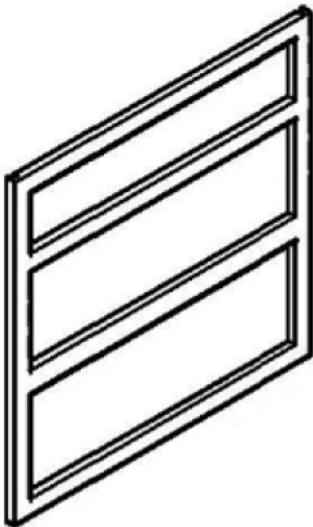

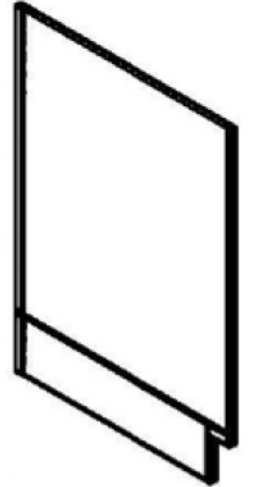
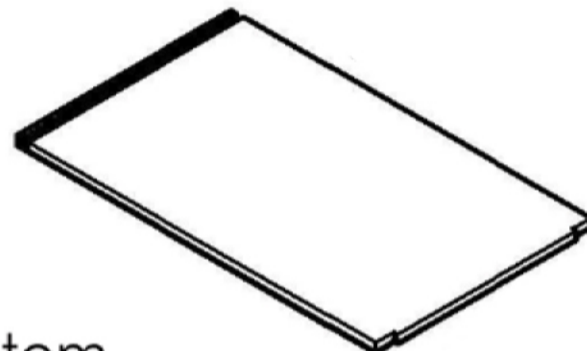
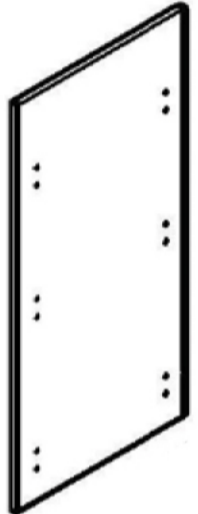
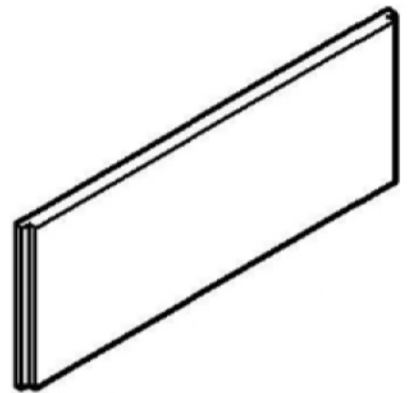
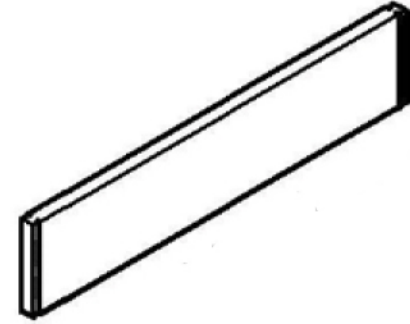
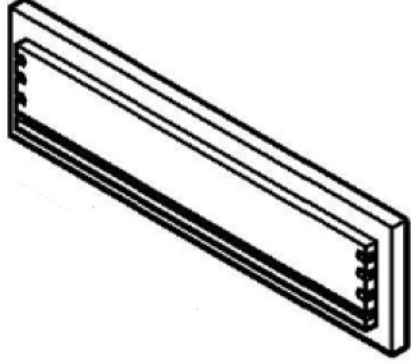
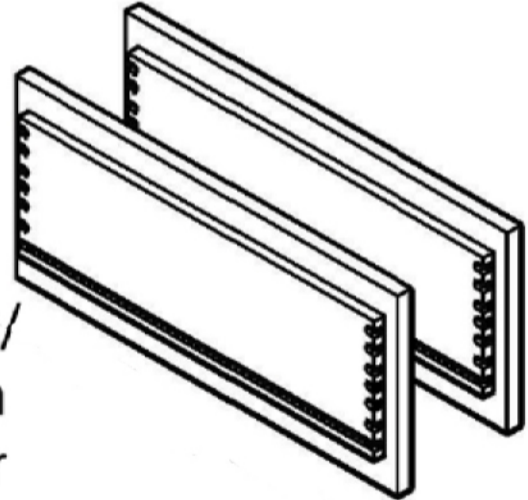
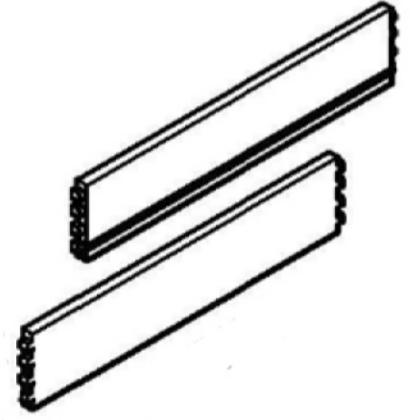
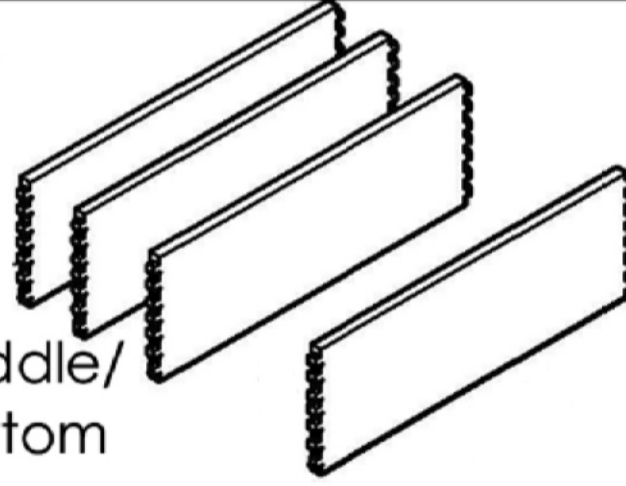
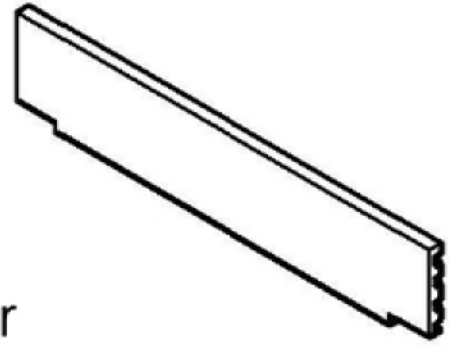
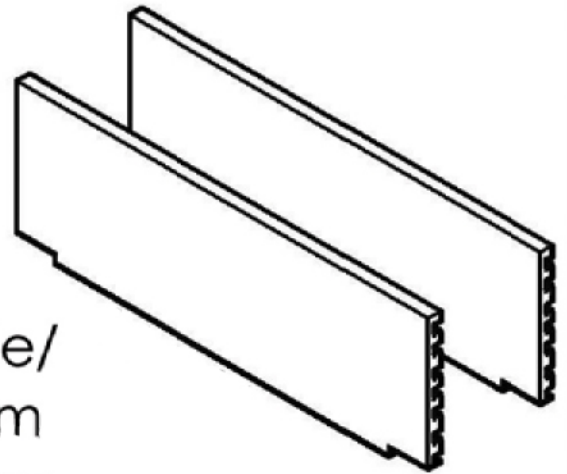
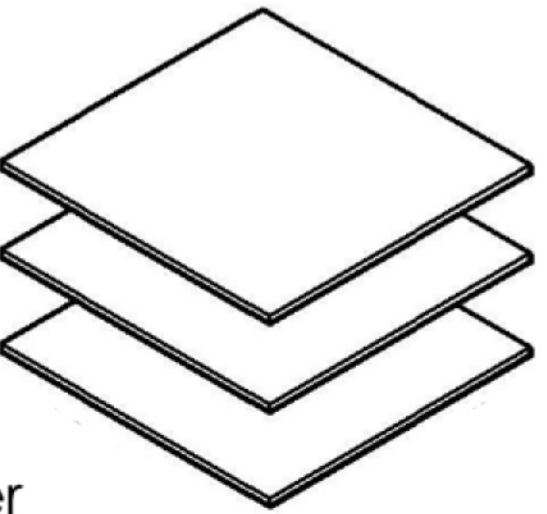


DRAWER BASES



Part List

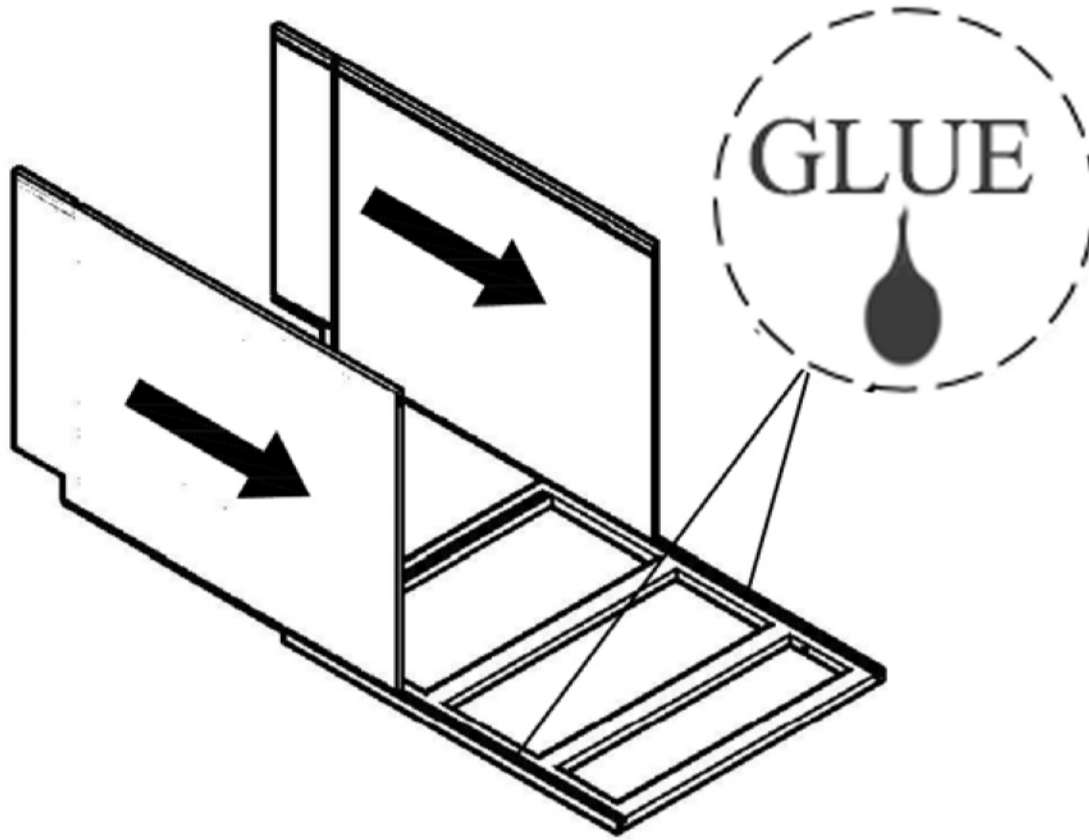
No	Picture	Specification
A		Screw $\varnothing 3 \times 1/2$ "
B		L Bracket
C		Drawer Glides
D		Glide Connector
E		Corner Block
F		Metal Clip
G		Bumper

<p>1</p>  <p>Face Frame</p>	<p>2</p>  <p>Left Side Panel</p>	<p>3</p>  <p>Right Side Panel</p>
<p>4</p>  <p>Bottom Panel</p>	<p>5</p>  <p>Back Panel</p>	<p>6</p>  <p>Front Toe kick</p>
<p>7</p>  <p>Back Toe kick (Some models)</p>	<p>8</p>  <p>Top Drawer Front</p>	<p>9</p>  <p>Middle/Bottom Drawer Front</p>
<p>10</p>  <p>Top Drawer Sides</p>	<p>11</p>  <p>Middle/Bottom Drawer Sides</p>	<p>12</p>  <p>Drawer Back</p>
<p>13</p>  <p>Middle/Bottom Drawer Back</p>	<p>14</p>  <p>Drawer Bottom</p>	

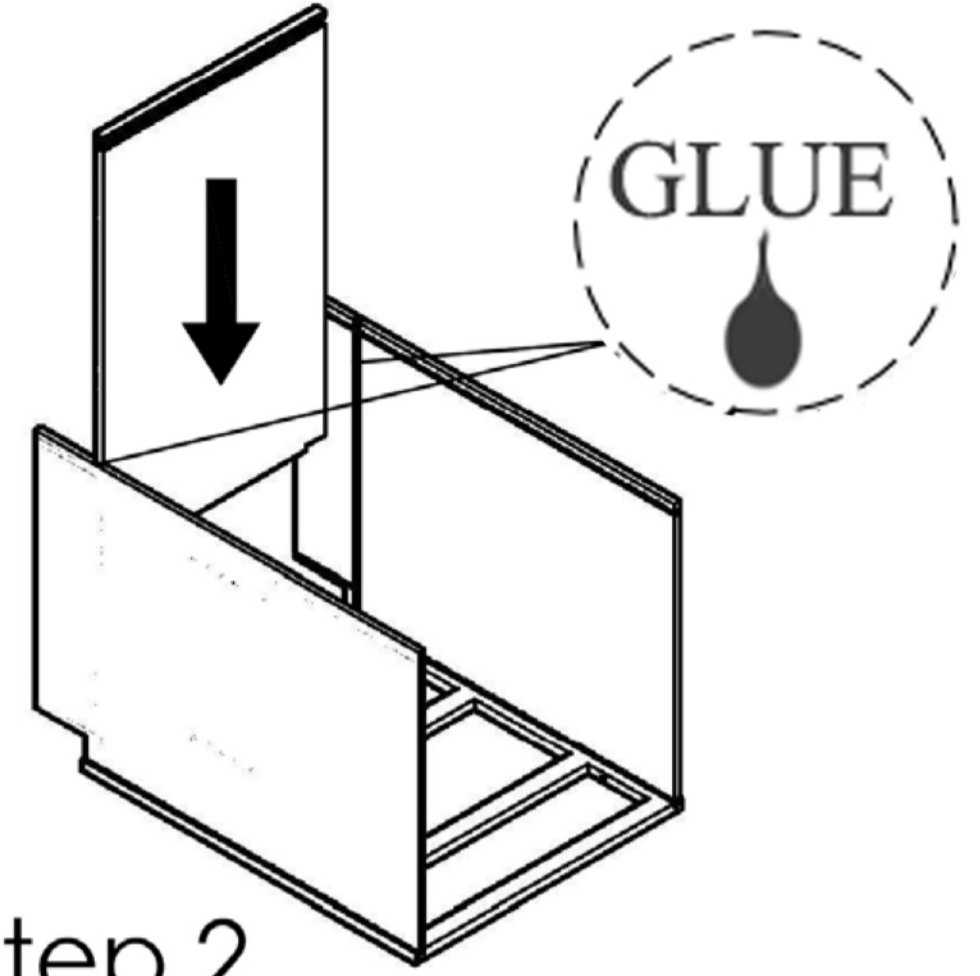
DRAWER BASE ASSEMBLY

No	Picture	Specification
A		Screw $\varnothing 3 * 1/2''$
B		L Bracket
C		Drawer Glides
D		Glide Connector

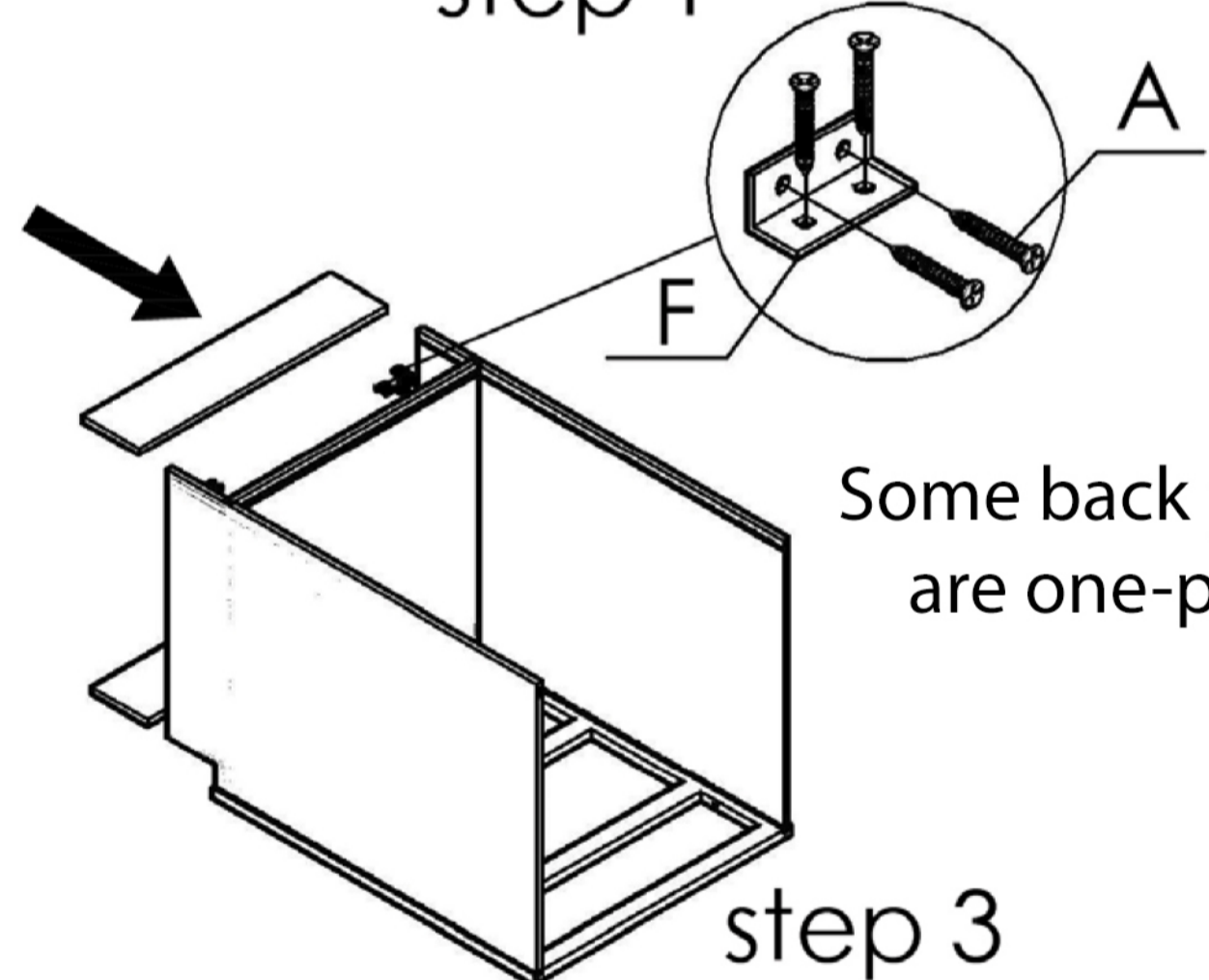
No	Picture	Specification
E		Corner Block
F		Metal Clip
G		Bumper



step 1

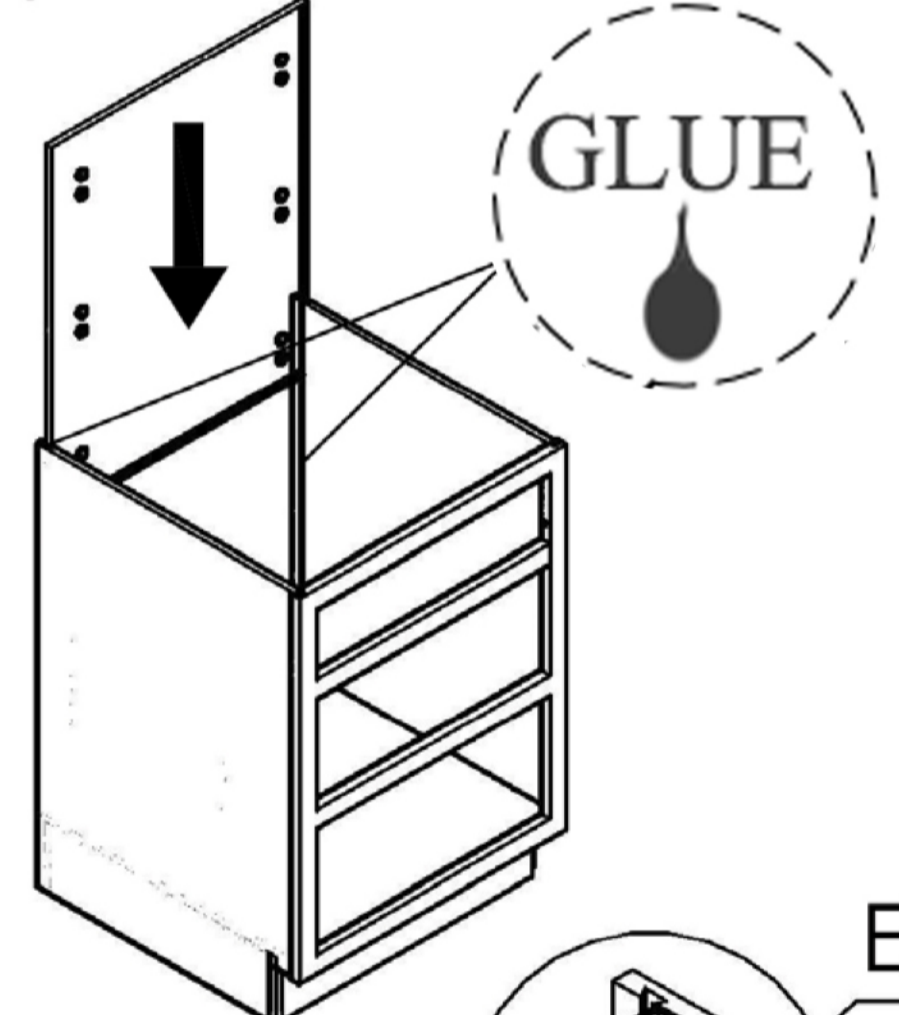


step 2

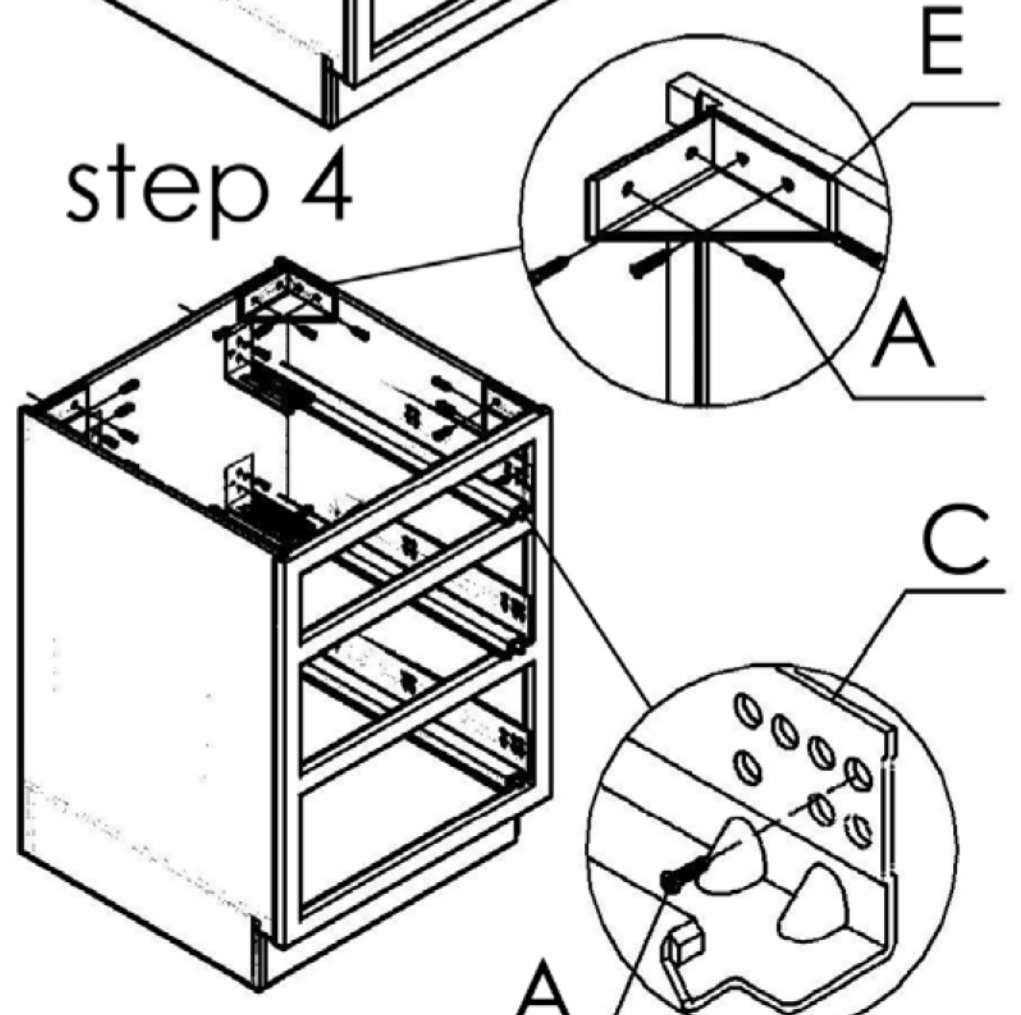
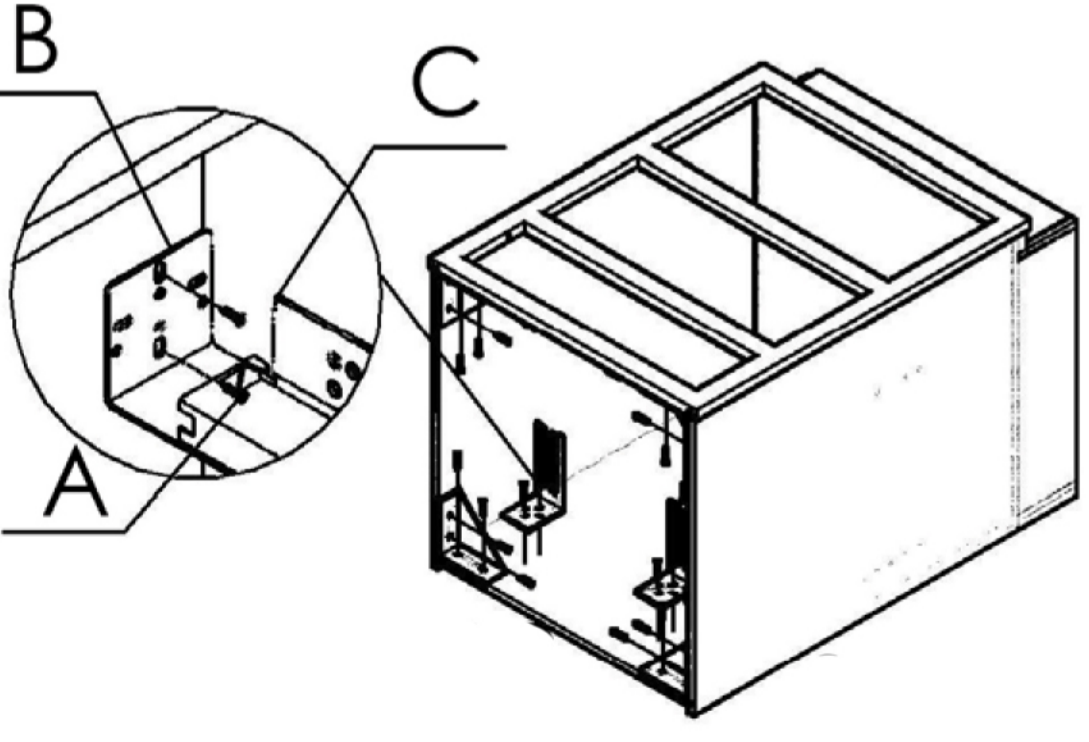


step 3

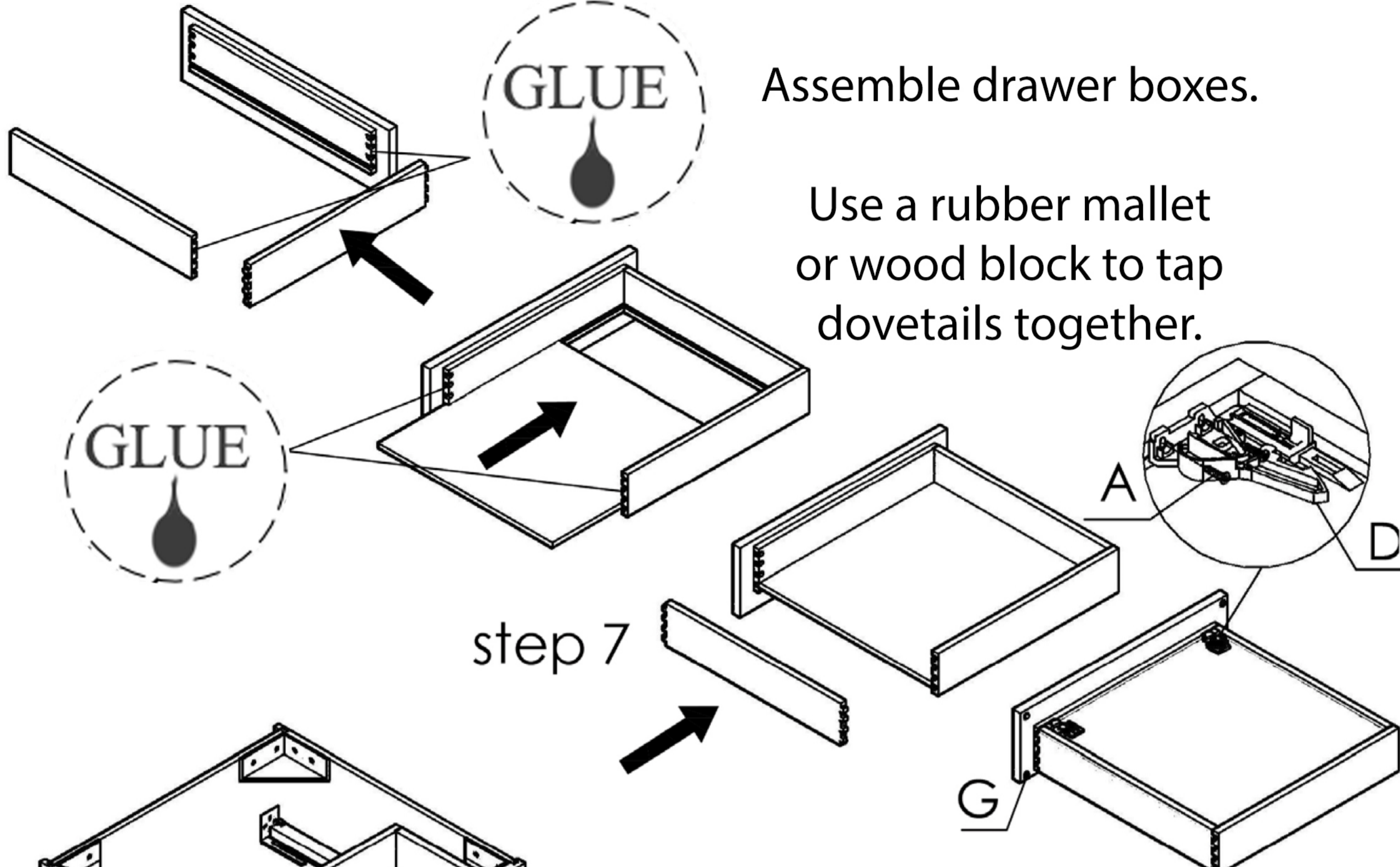
Some back panels are one-piece



step 4



step 6



Assemble drawer boxes.

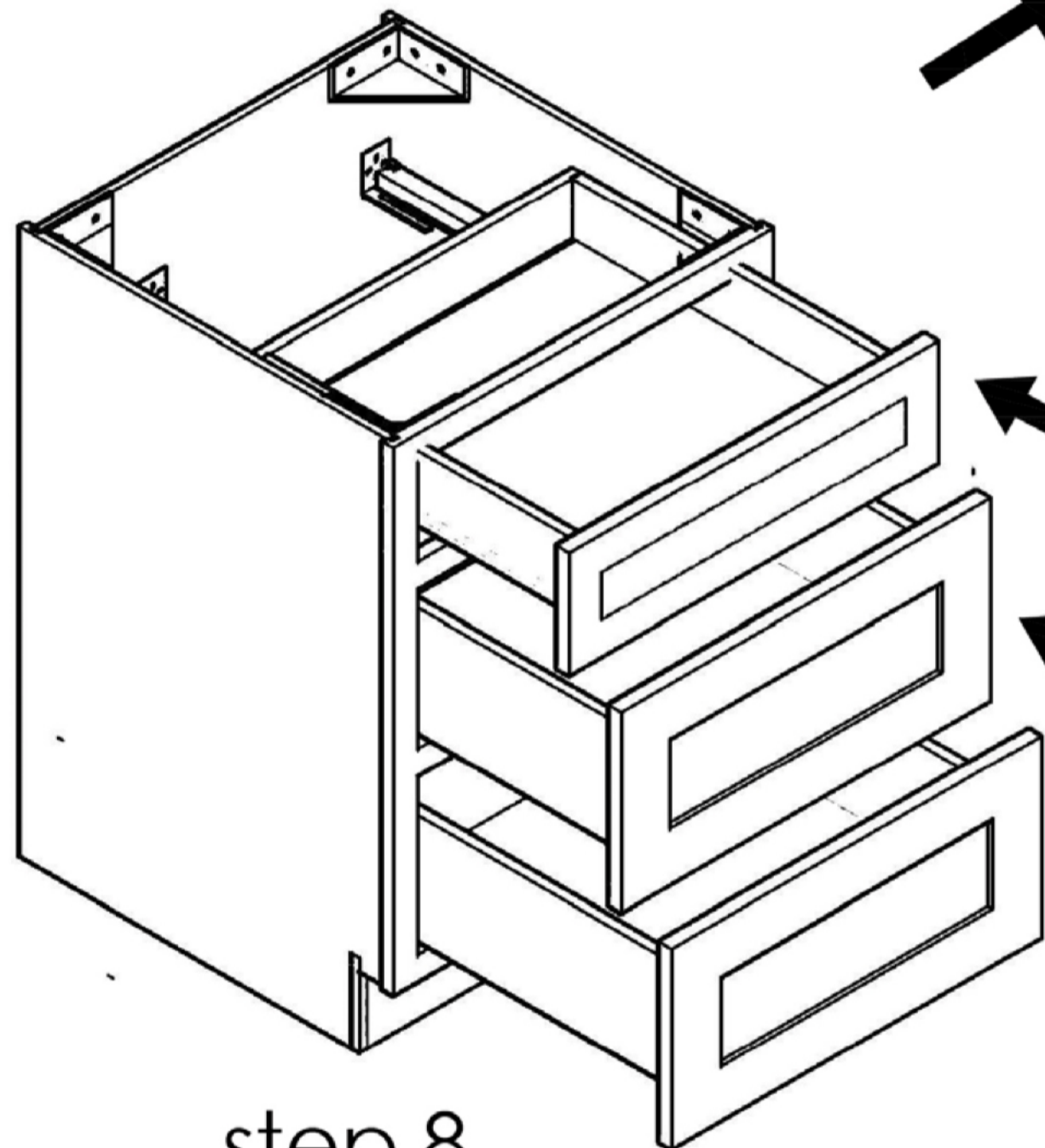
Use a rubber mallet or wood block to tap dovetails together.

step 7

G

Do not glue bottom panel.

Screw Glide Clips into side of drawer box (under).
DO NOT SCREW INTO BOTTOM PANEL.

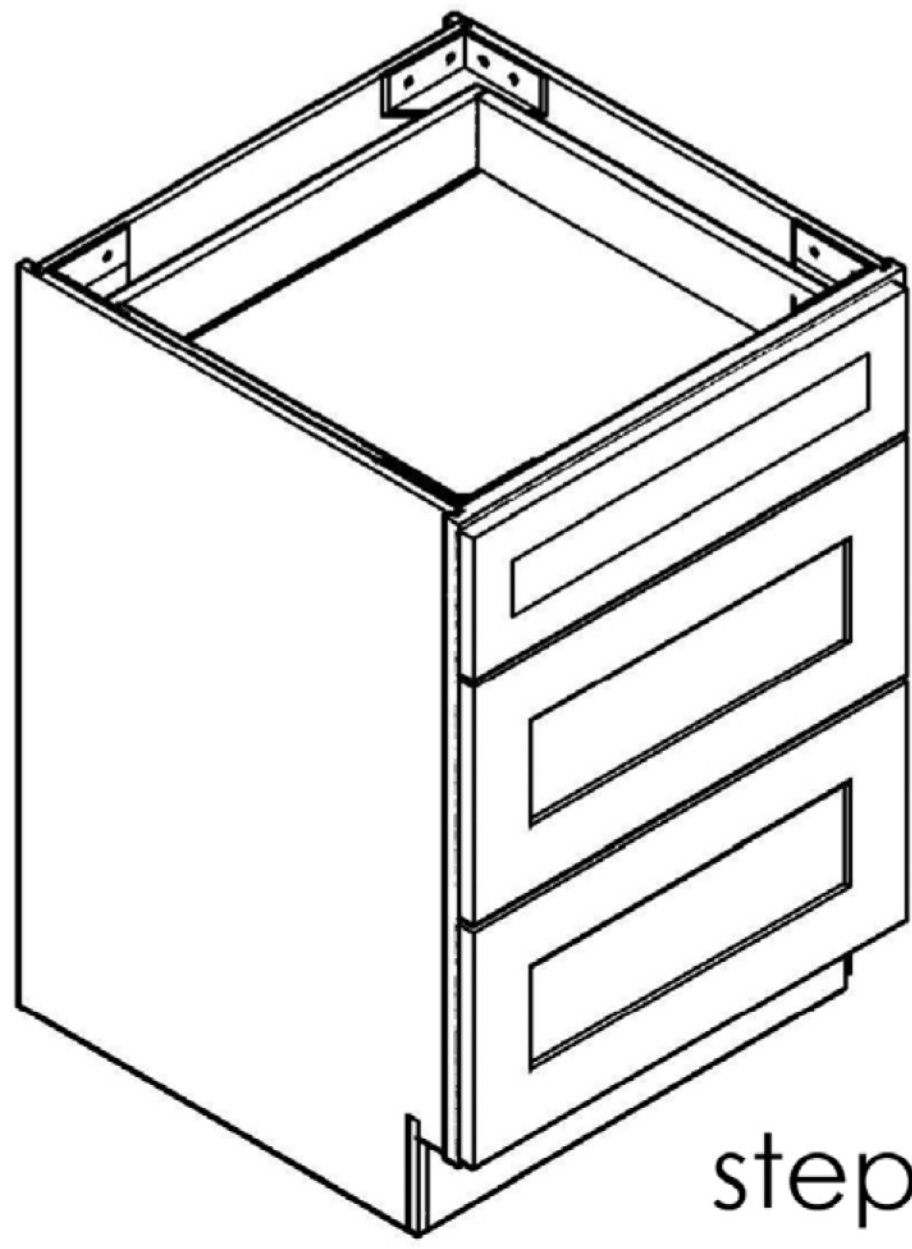


step 8

Insert drawer and close.

To remove drawer, press Drawer Clip lever to release.

DRAWER BASE ASSEMBLY



step 9

DADO ASSEMBLY

For cabinets that have dado grooves and not dovetails, simply insert the side panels straight into the Dado.

Use the metal L-Brackets or brad nails to secure the Face Frame, side panels and back together.

Use wood glue on all dados for maximum strength.

