

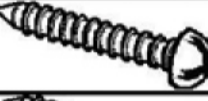













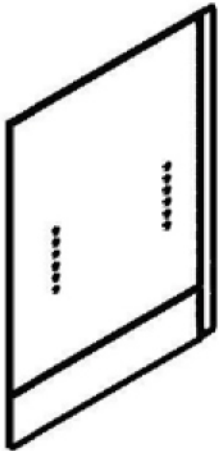
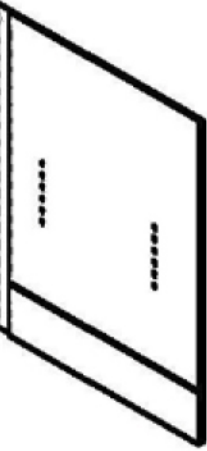

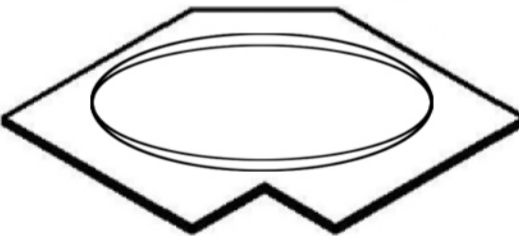
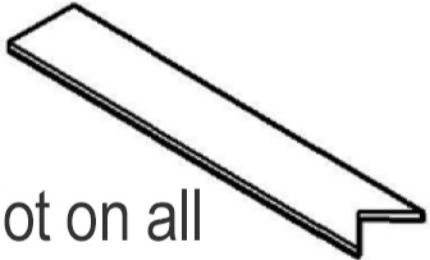
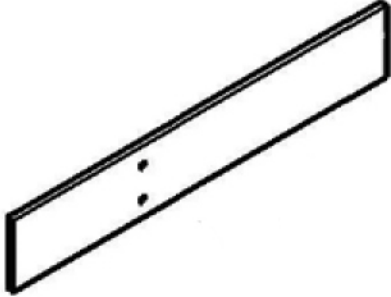
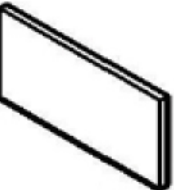
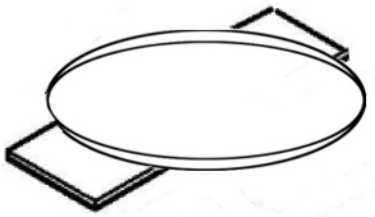
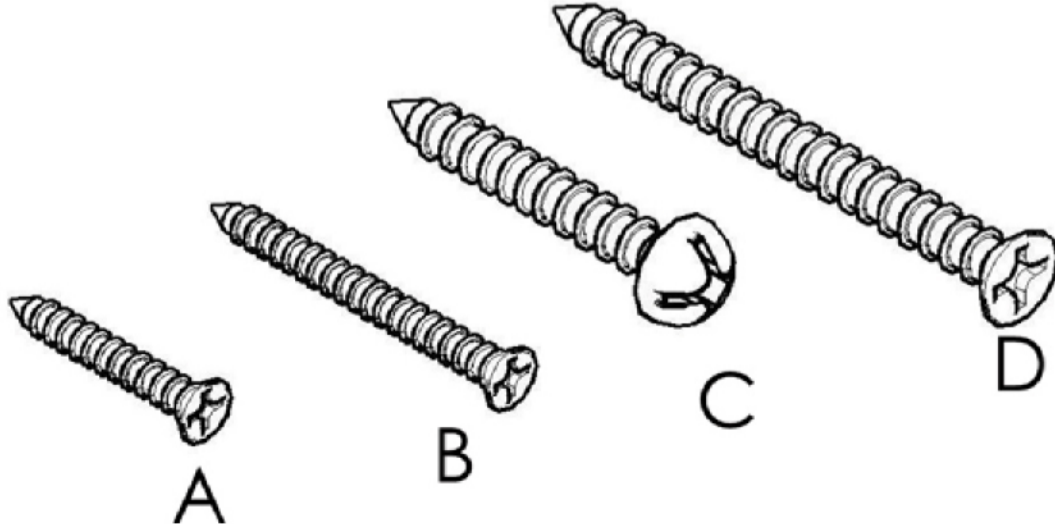





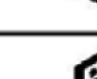

# Lazy Susan Assembly Instructions



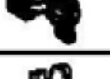


## Part List

No	Picture	Specification
A		Screw $\text{Ø}3 \times 1/2''$
B		Screw $\text{Ø}3 \times 5/8''$
C		Screw $\text{Ø}4 \times 5/8''$
D		Screw $\text{Ø}4 \times 1 \frac{3}{16}''$
E		Corner Block
F		Metal Clip
G		Shelf Clip
H		165° Hinges
I		Cross Hinges
J		Bumper

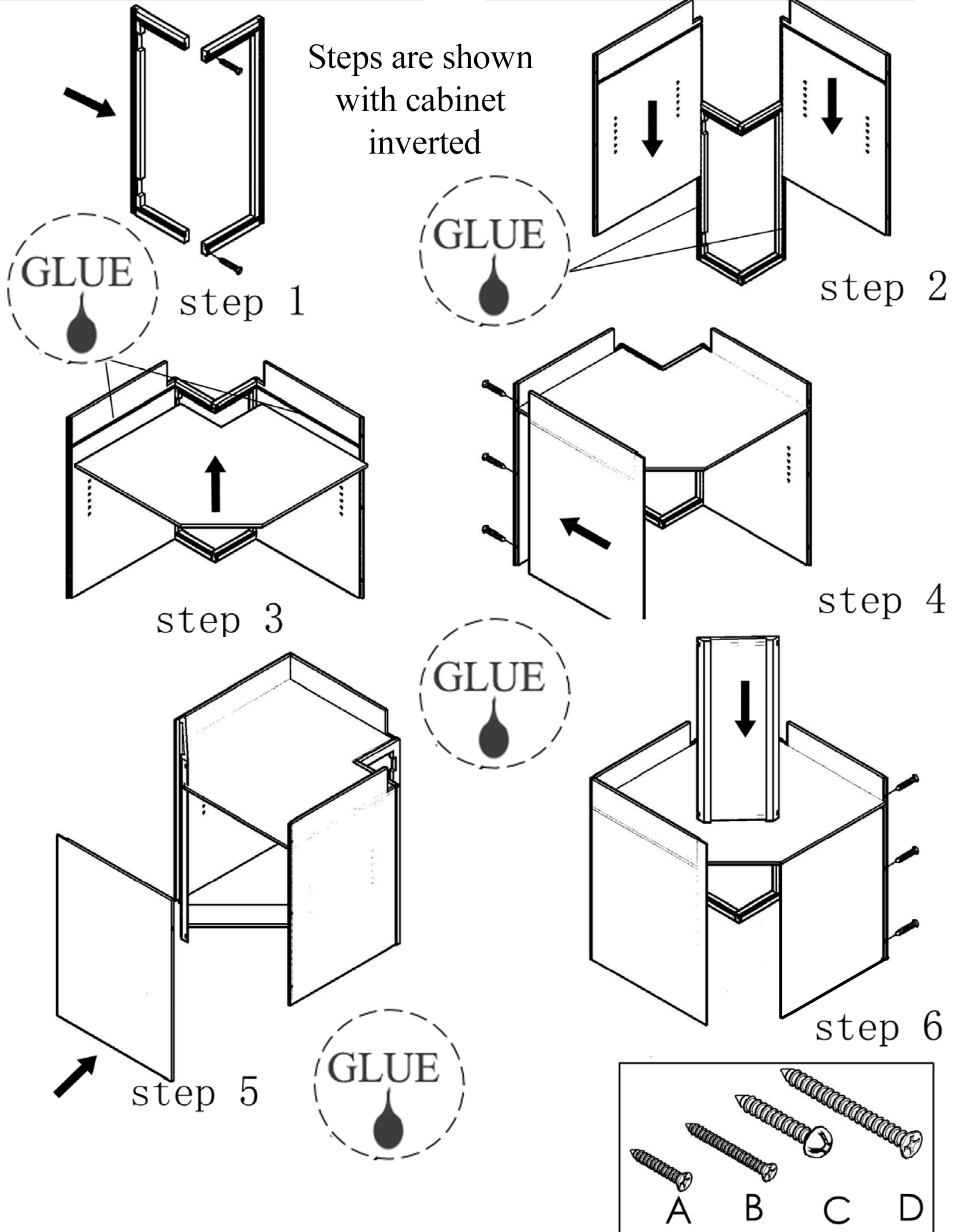
<p>1</p>  <p>Left Door</p>	<p>2</p>  <p>Right Door</p>	<p>3</p>  <p>Left Face Frame</p>
<p>4</p>  <p>Right Face Frame</p>	<p>5</p>  <p>Left Face Side Panel</p>	<p>6</p>  <p>Right Face Side Panel</p>
<p>7</p>  <p>Left Back Side Panel</p>	<p>8</p>  <p>Right Back Side Panel</p>	<p>9</p>  <p>Back Panel</p>
<p>10</p>  <p>Bottom Panel</p>	<p>11</p>  <p>Above Panel Not on all cabinets</p>	<p>12</p>  <p>Left Toe Kick</p>
<p>13</p>  <p>Right Toe Kick</p>	<p>14</p>  <p>Shelf</p>	 <p>A B C D</p>

# LAZY SUSAN ASSEMBLY INSTRUCTIONS

No	Picture	Specification
A		Screw $\varnothing 3 \times 1/2$ "
B		Screw $\varnothing 3 \times 5/8$ "
C		Screw $\varnothing 4 \times 5/8$ "
D		Screw $\varnothing 4 \times 1 \frac{3}{16}$ "
E		Corner Block

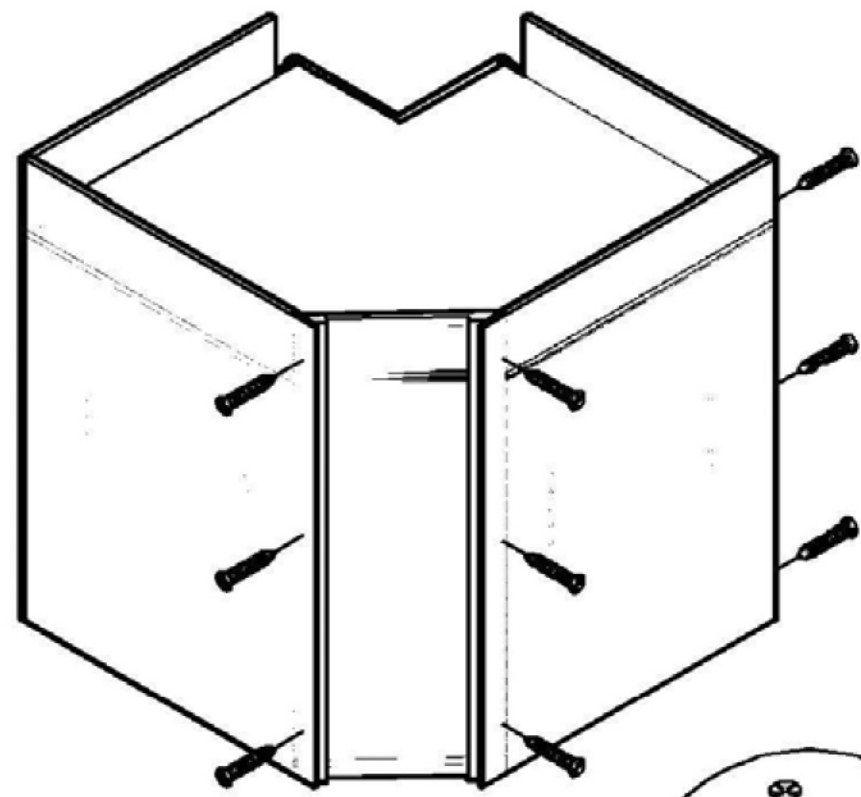
No	Picture	Specification
F		Corner Bracket
G		Shelf Clip
H		165° Hinges
I		Cross Hinges
J		Bumper

Steps are shown with cabinet inverted

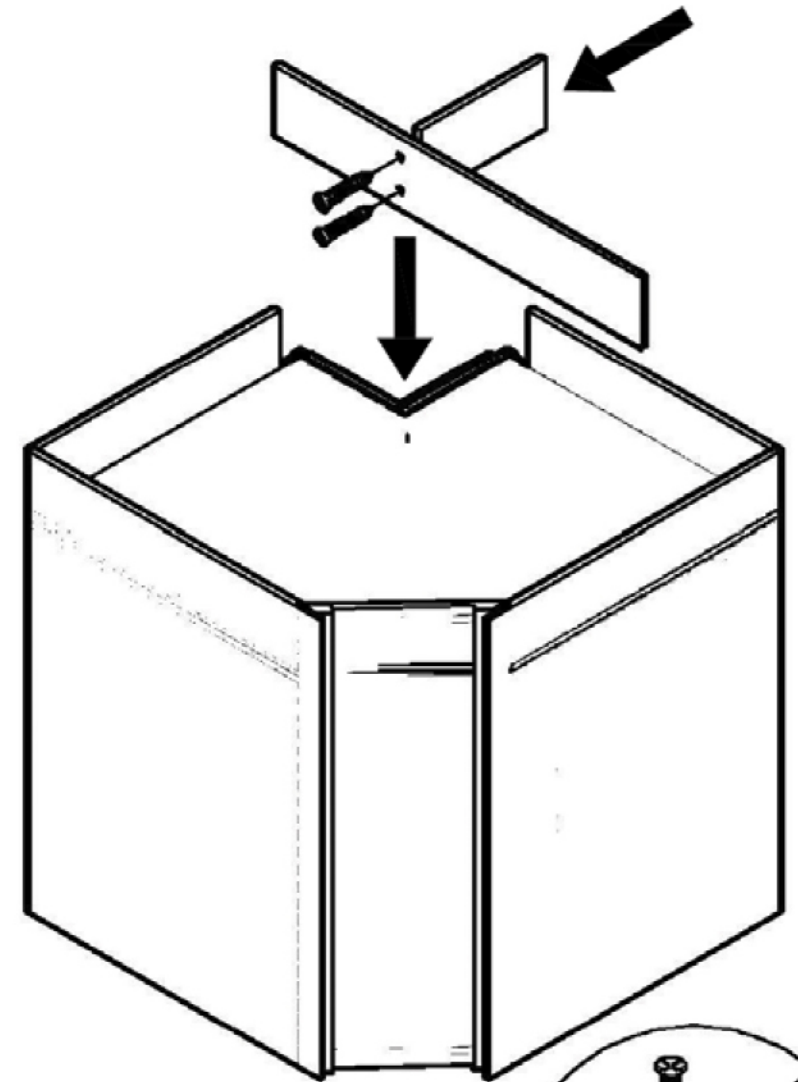
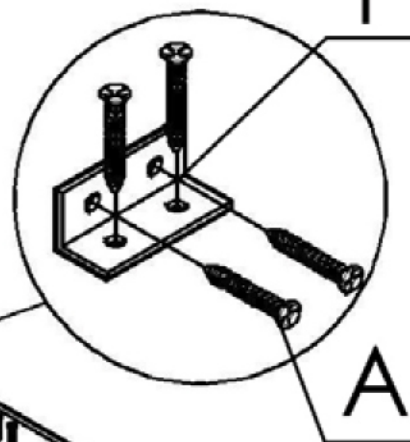




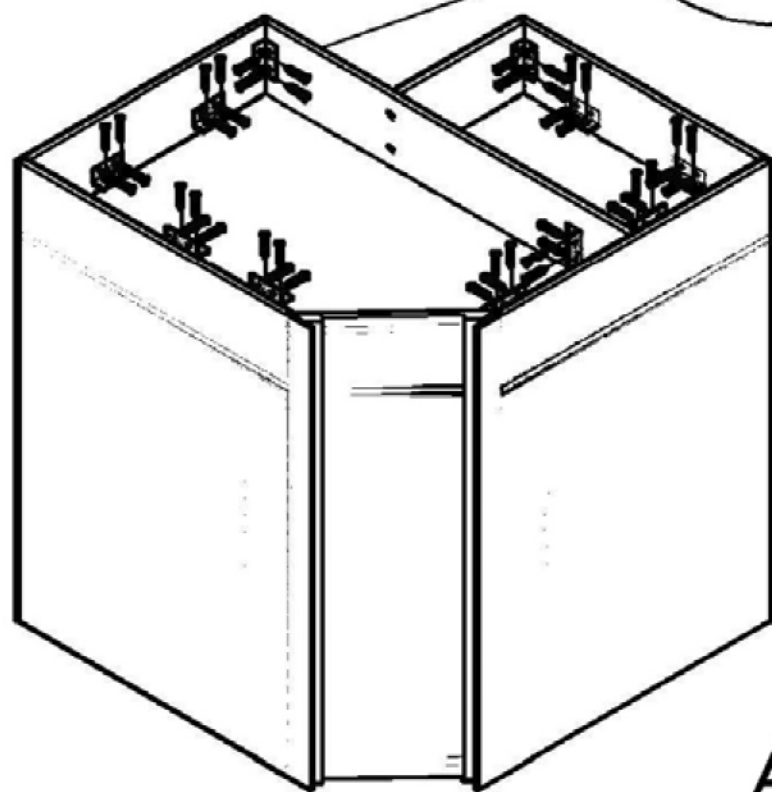
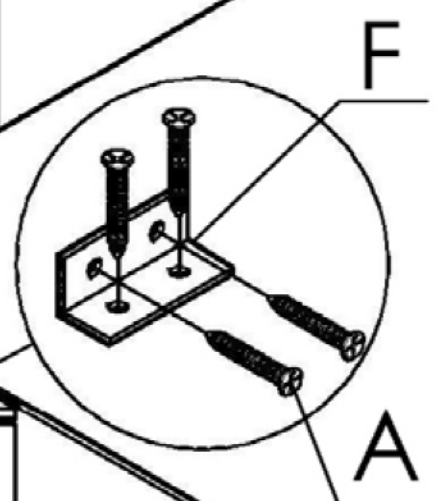
# LAZY SUSAN ASSEMBLY INSTRUCTIONS



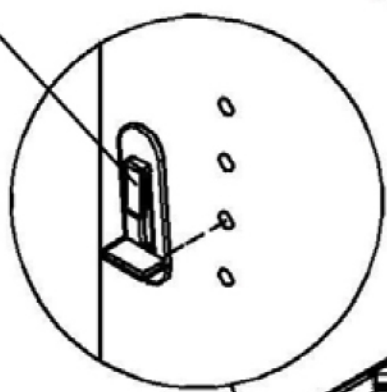
step 7



step 8

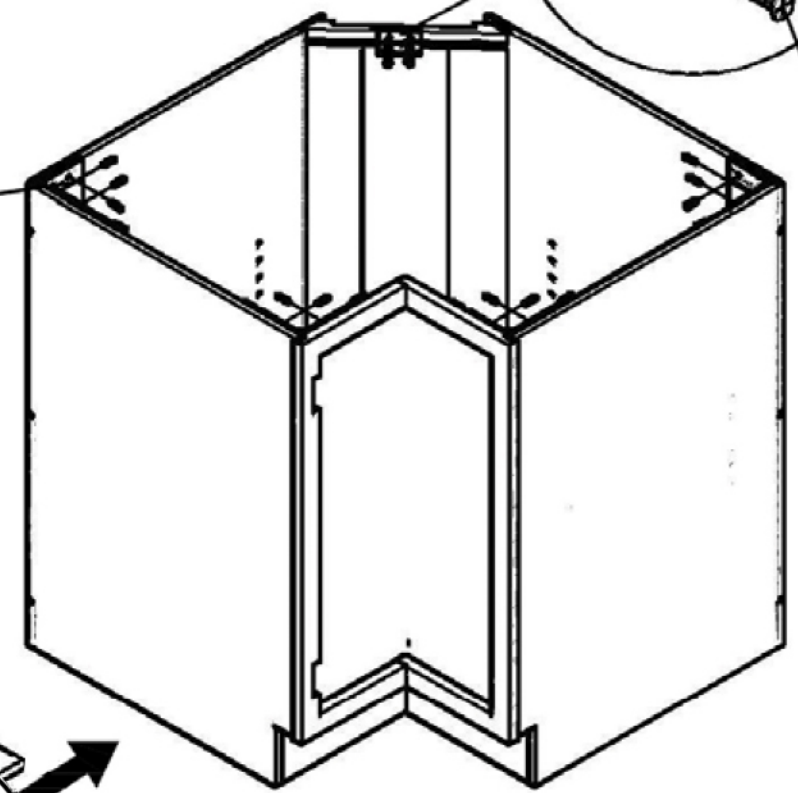


step 9

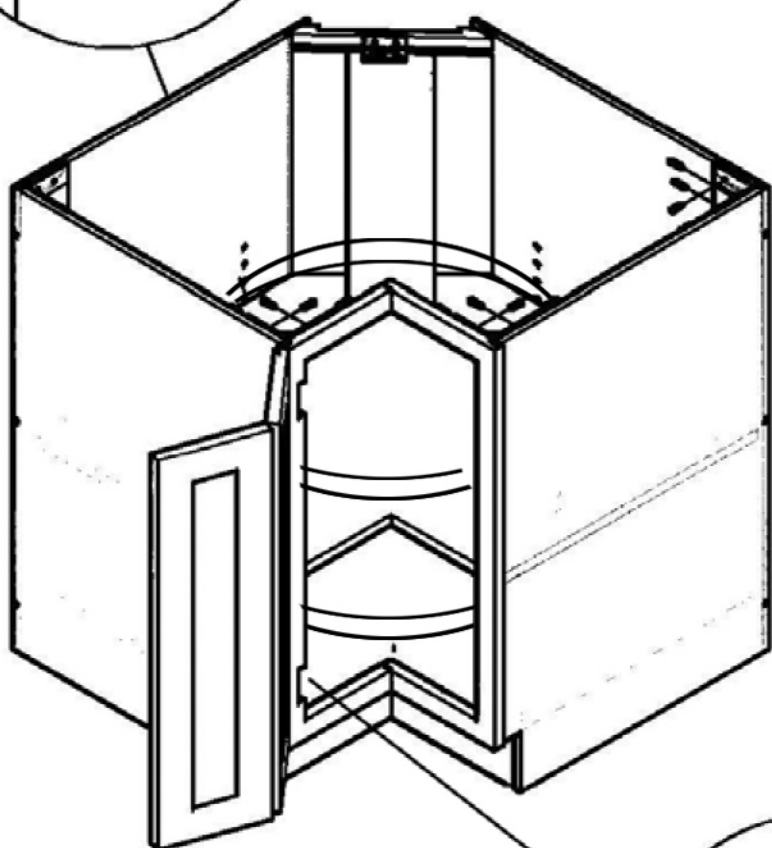


A

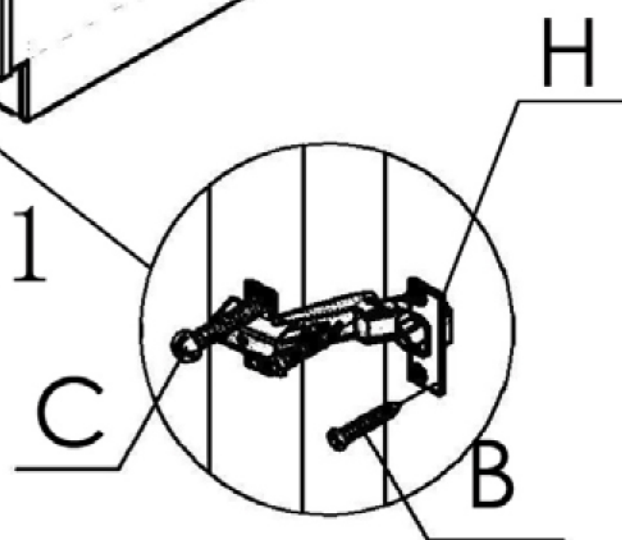
E



step 10

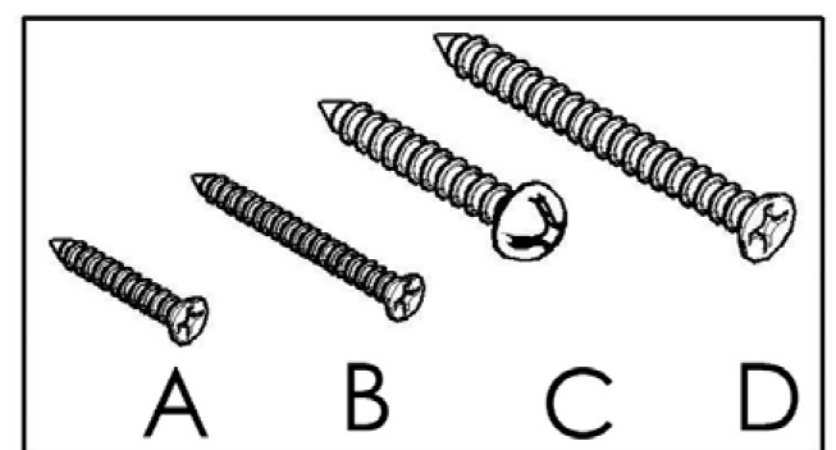


step 11



C

B



A

B

C

D

## DADO ASSEMBLY

For cabinets that have dado grooves and not dovetails, simply insert the side panels straight into the Dado.

Use the metal L-Brackets or brad nails to secure the Face Frame, side panels and back together.

Use wood glue on all dados for maximum strength.

