






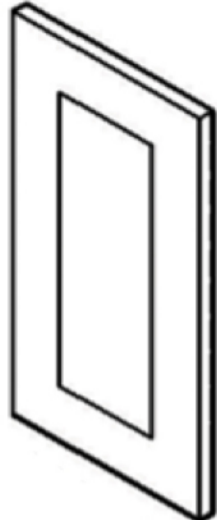

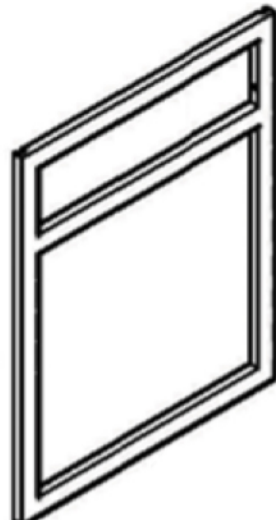
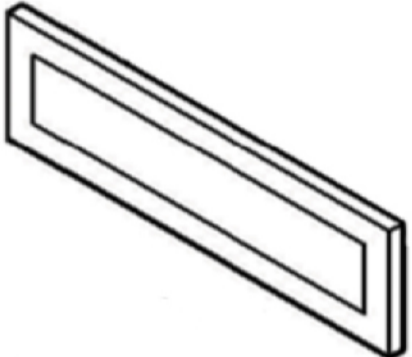

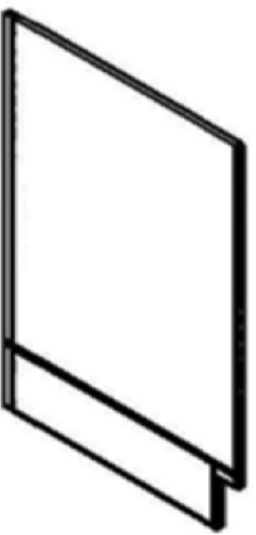
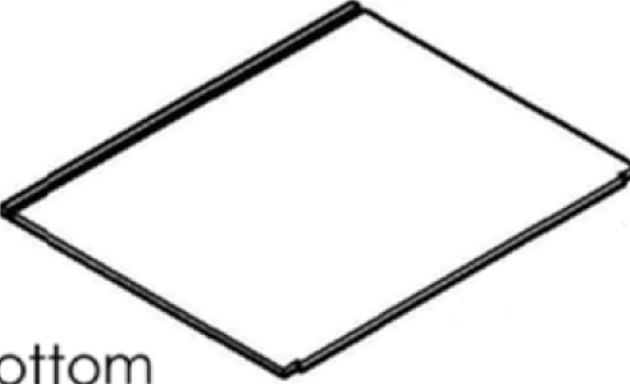
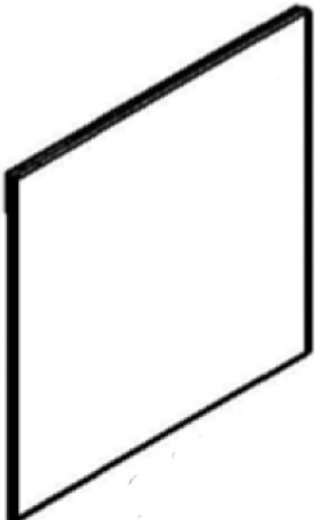
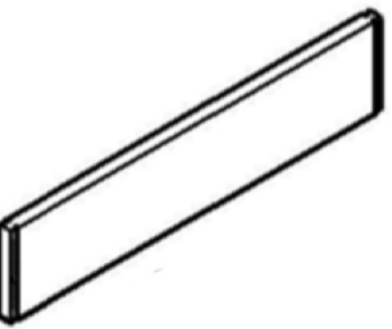
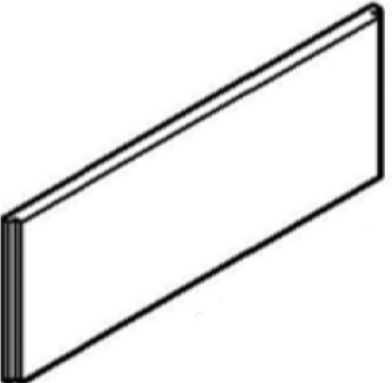
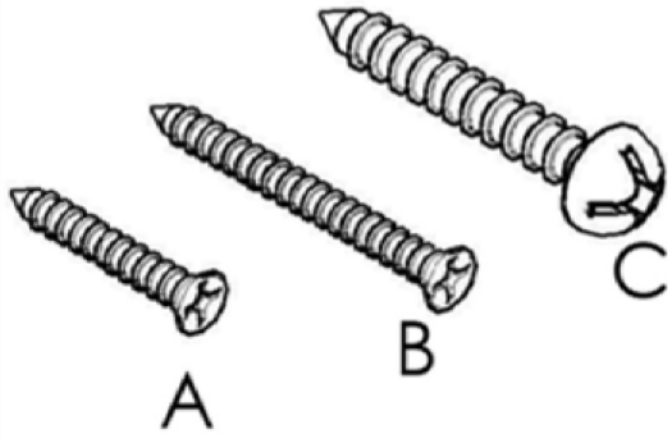






# Part List

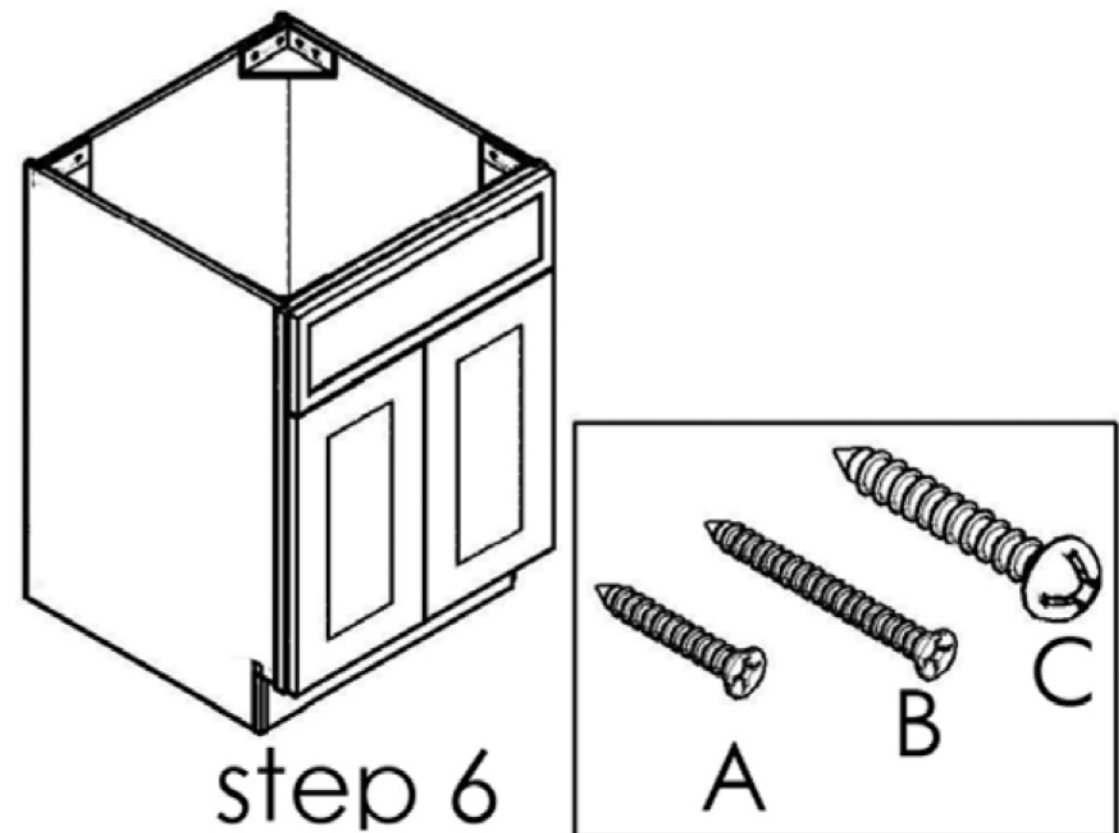
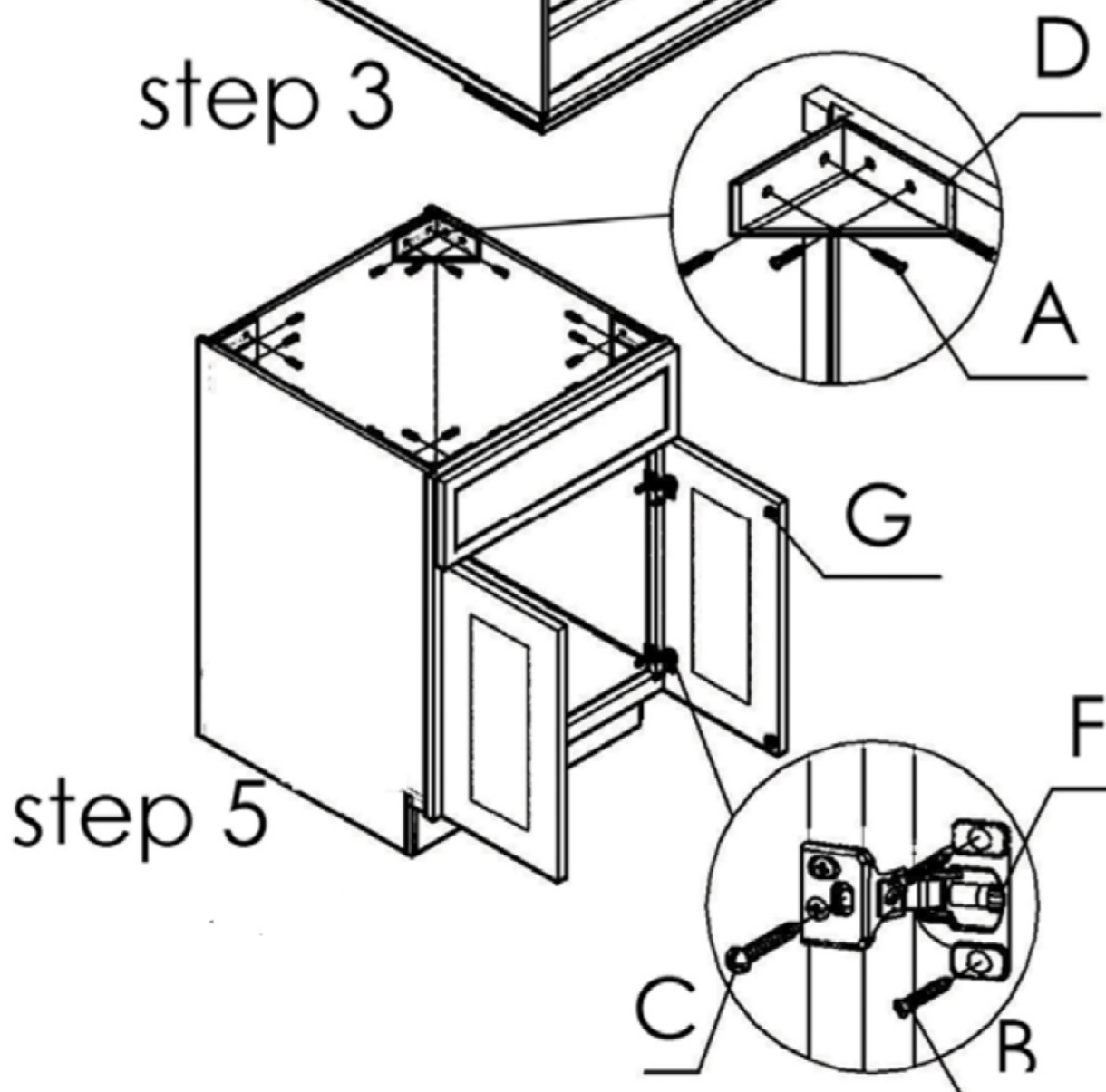
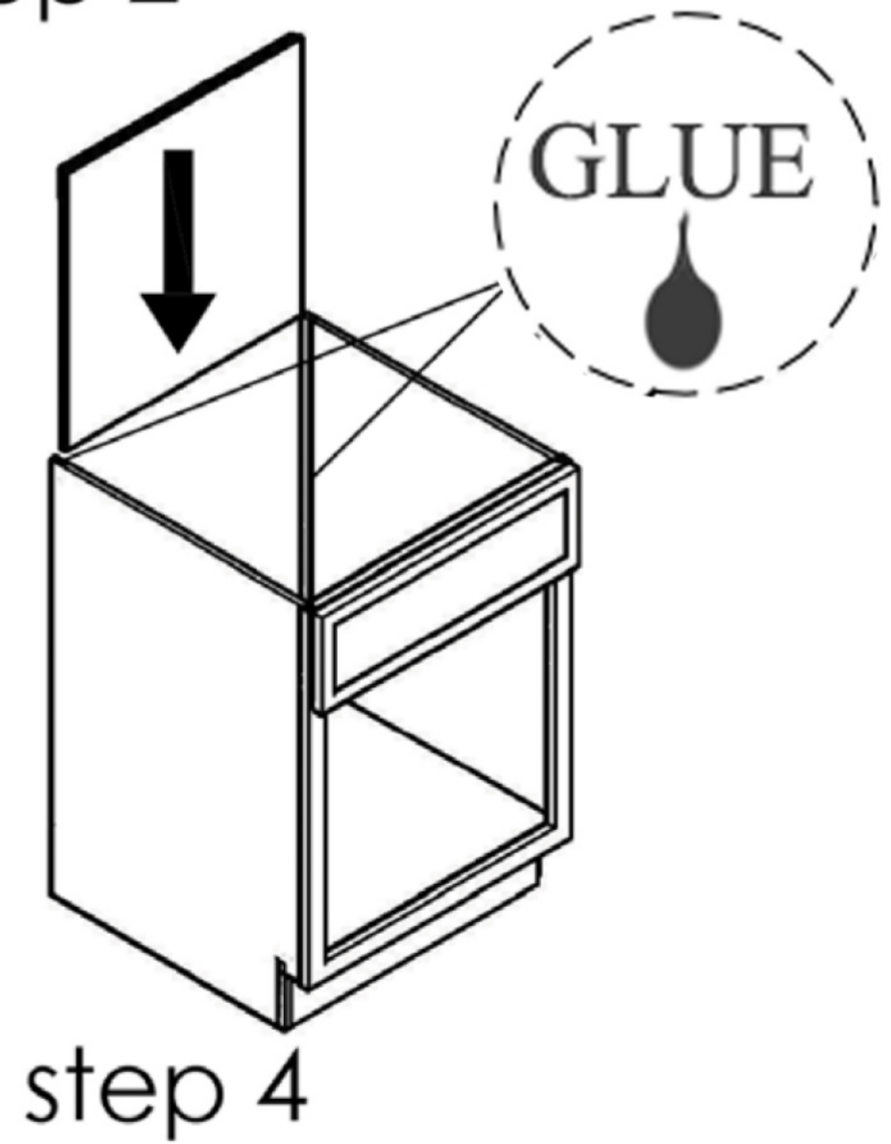
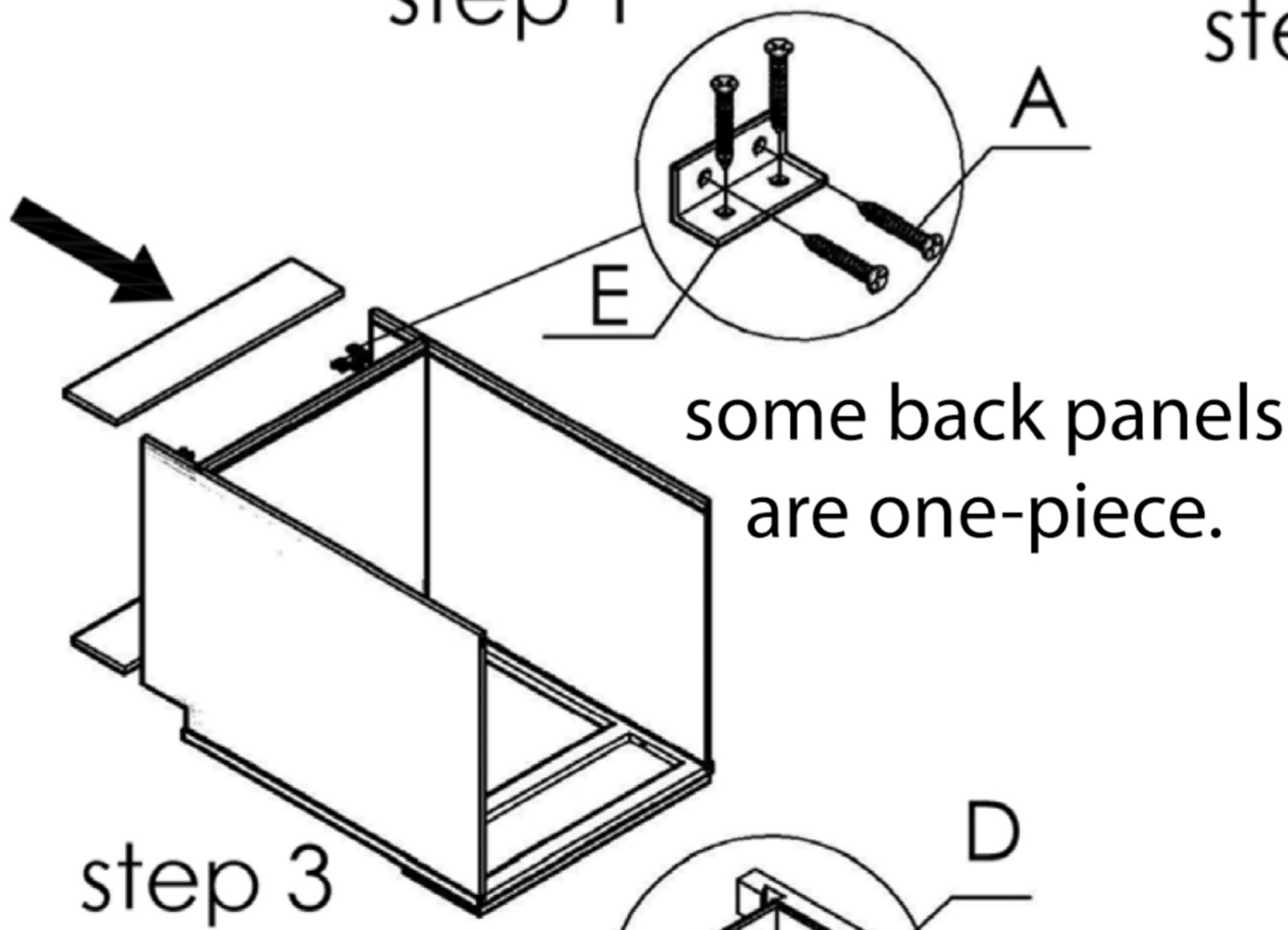
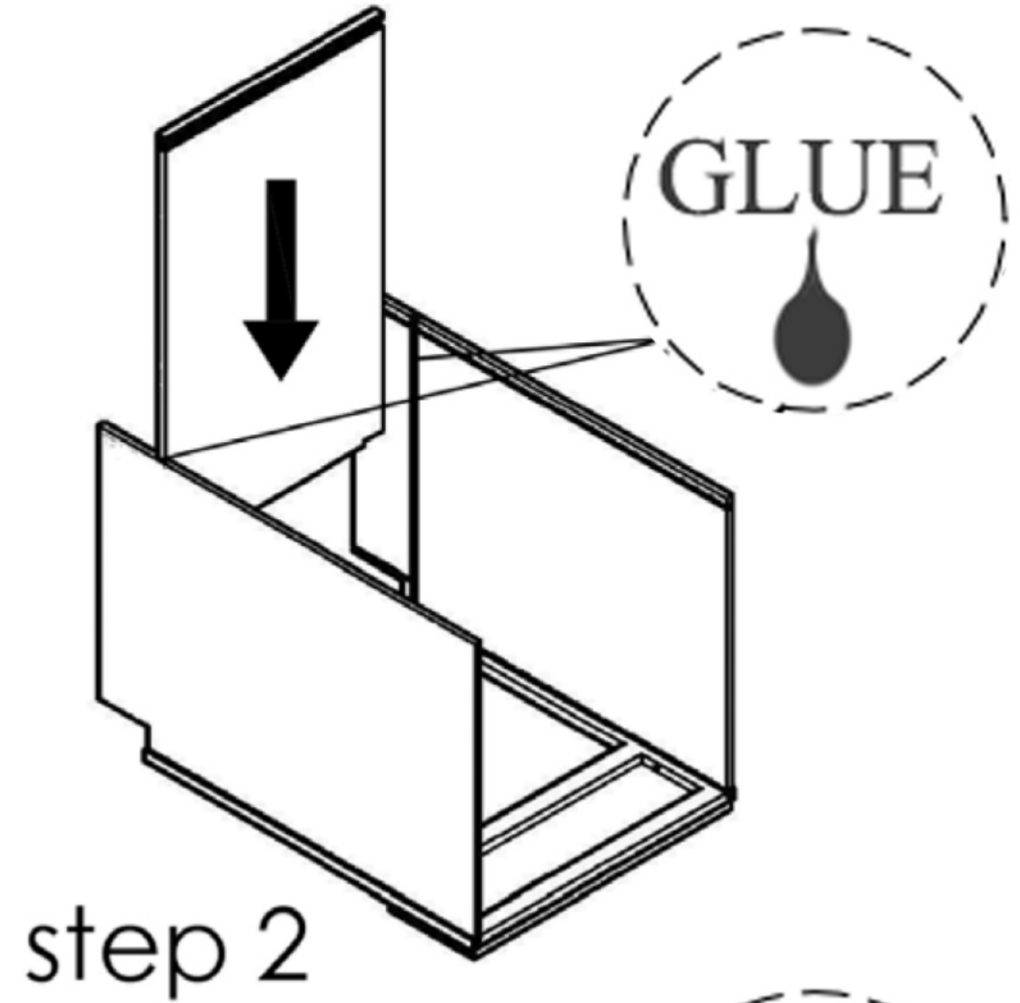
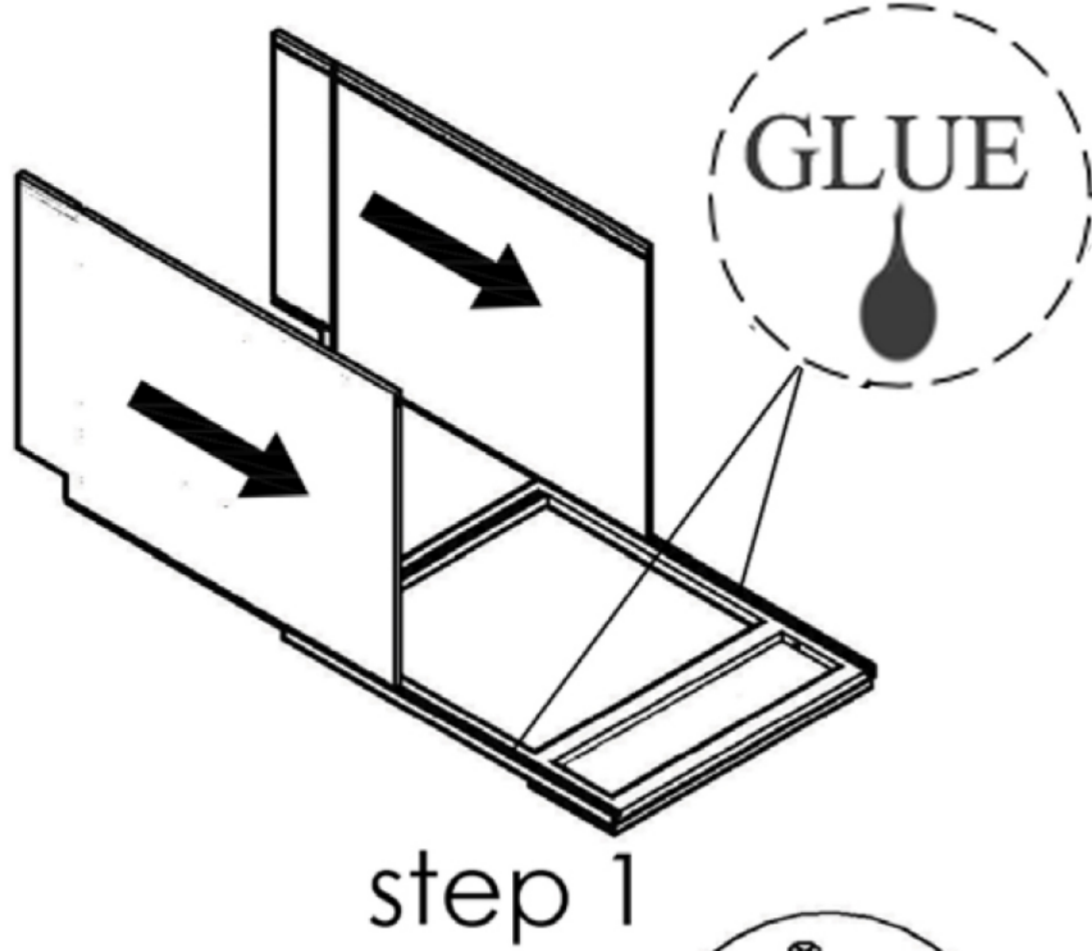
No	Picture	Specification
A		Screw $\text{Ø}3 \times 1/2''$
B		Screw $\text{Ø}3 \times 5/8''$
C		Screw $\text{Ø}4 \times 5/8''$
D		Corner Bracket
E		Metal Clip
F		Hinges
G		Bumper

<p>1</p>  <p>Left Door</p>	<p>2</p>  <p>Right Door</p>	<p>3</p>  <p>Face Frame</p>	
<p>4</p>  <p>Drawer Front</p>	<p>5</p>  <p>Left Side Panel</p>	<p>6</p>  <p>Right Side Panel</p>	
<p>7</p>  <p>Bottom Panel</p>	<p>8</p>  <p>Back Panel</p>	<p>9</p>  <p>Back Toe kick</p>	
		<p>10</p>  <p>Front Toe kick</p>	
			 <p>A B C</p>

# SINK BASE ASSEMBLY

No	Picture	Specification
A		Screw $\varnothing 3 \times 1/2$ "
B		Screw $\varnothing 3 \times 5/8$ "
C		Screw $\varnothing 4 \times 5/8$ "
D		Corner Block

No	Picture	Specification
E		Metal Clip
F		Hinges
G		Bumper





## DADO ASSEMBLY

For cabinets that have dado grooves and not dovetails, simply insert the side panels straight into the Dado.

Use the metal L-Brackets or brad nails to secure the Face Frame, side panels and back together.

Use wood glue on all dados for maximum strength.

