



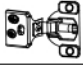


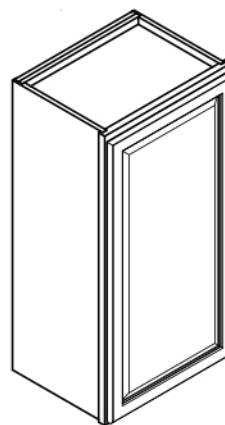
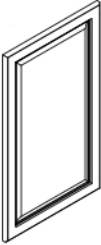
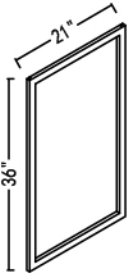
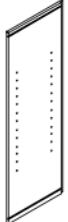
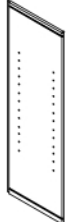



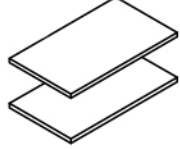


PARTS LIST





WALL CABINET




NO.	Picture	Specification
A		Screws $\text{Ø}3 \times 1/2$ "
B		Screws $\text{Ø}4 \times 1$ "
C		Shelf Clips
D		Metal Clip
E		Hinges
F		Screws $\text{Ø}4 \times 3/4$ "
G		Screws $\text{Ø}4 \times 5/8$ "

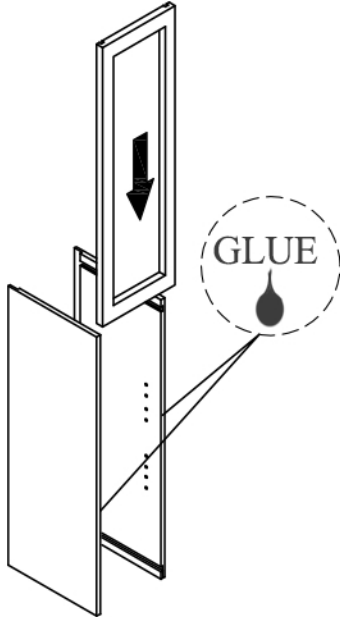


<p>1</p>  <p>Door</p>	<p>2</p>  <p>Face frame</p>	<p>3</p>  <p>Left Side Panel</p>	<p>4</p>  <p>Right Side Panel</p>	<p>5</p>  <p>Back board</p>
<p>6</p>  <p>Top Panel</p>	<p>7</p>  <p>Bottom Panel</p>	 <p>Shelf</p>		

Assembly instructions

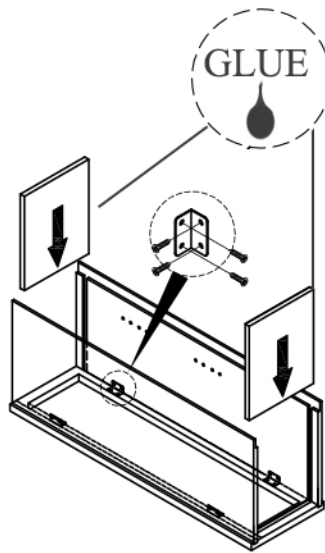
NO.	PICTURE	SIZE
A		Screws $\text{Ø}3 \times 1/2''$
B		Screws $\text{Ø}4 \times 1''$
C		Shelf Clip
D		Metal Clip

NO.	PICTURE	SIZE
E		Hinges
F		Screws $\text{Ø}4 \times 3/4''$
G		Screws $\text{Ø}4 \times 5/8''$



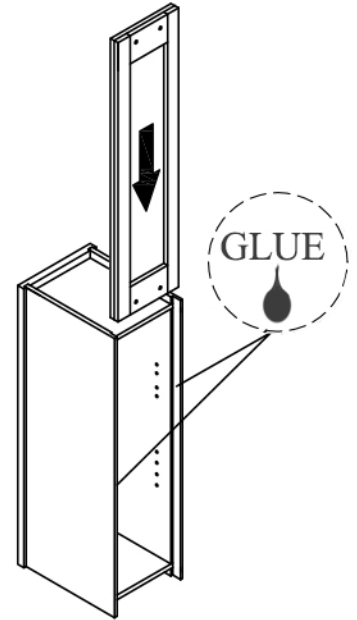
step 1

Slide sides into dovetails on face frame



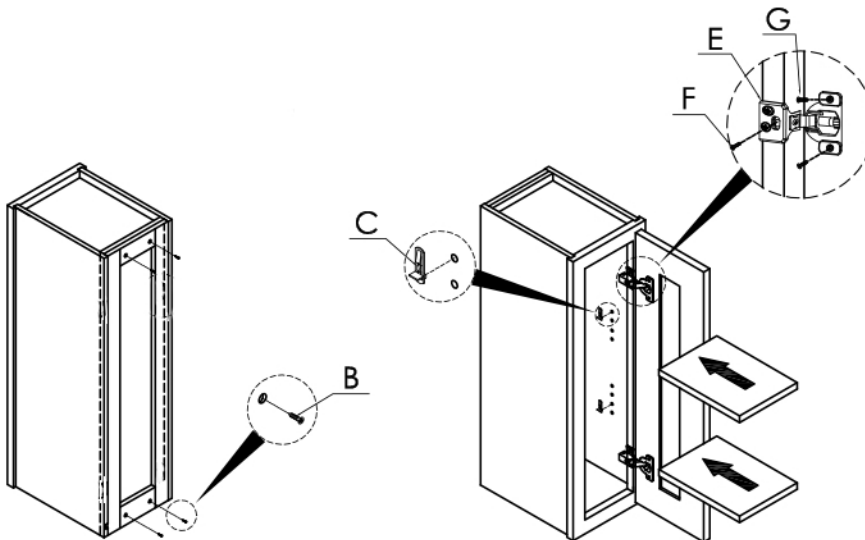
step 2

Insert top and bottom add corner brackets



step 3

Slide Back into dovetails on sides



step 4

Screw Back into top and bottom

step 5

Insert Shelves and Clips

step 6
Adjust Hinges if necessary

WALL CABINETS ASSEMBLY

DADO ASSEMBLY

For cabinets that have dado grooves and not dovetails, simply insert the side panels straight into the Dado.

Use the metal L-Brackets or brad nails to secure the Face Frame, side panels and back together.

Use wood glue on all dados for maximum strength.

