

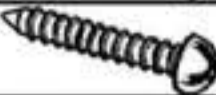





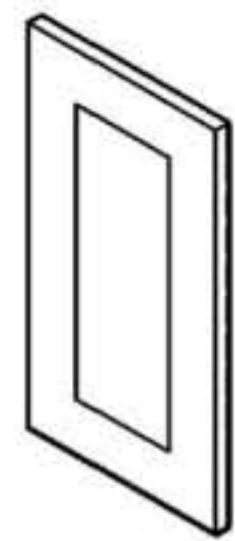


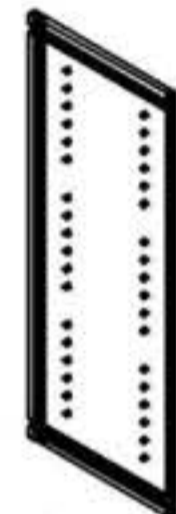
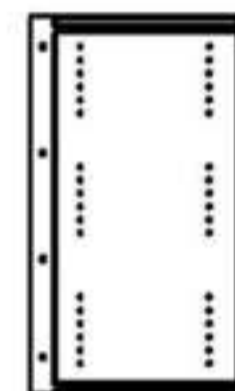
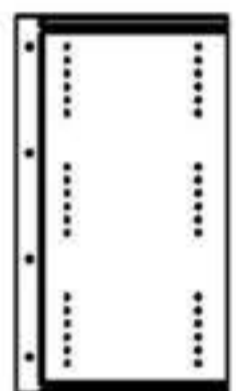
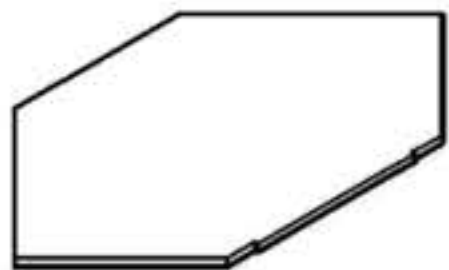


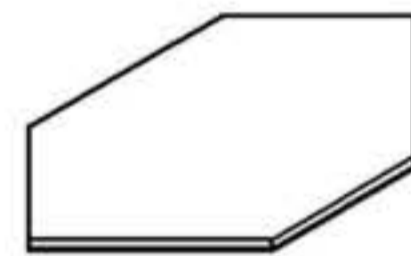
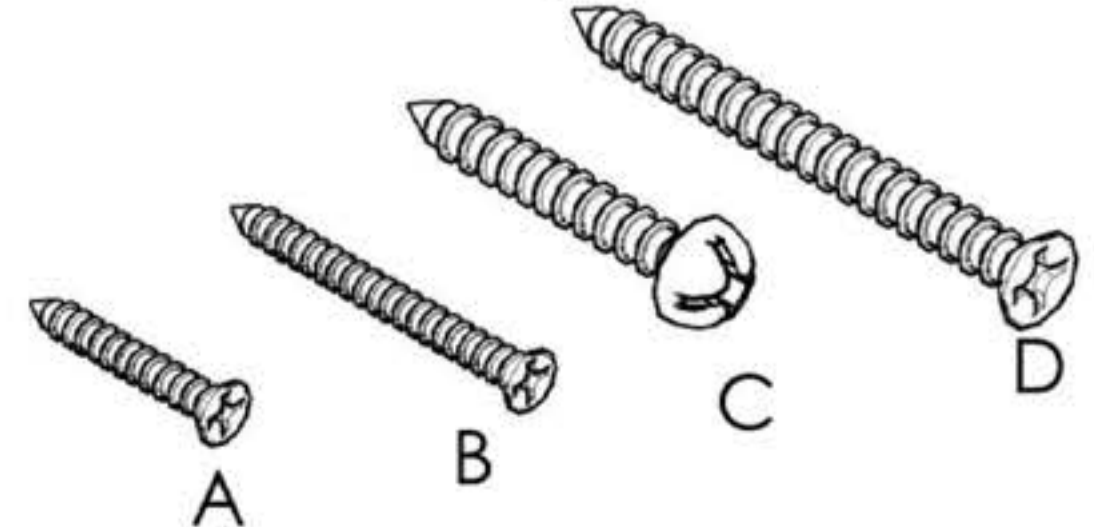






# Part List


No	Picture	Specification
A		Screw $\varnothing 3 \times 1/2$ "
B		Screw $\varnothing 3 \times 5/8$ "
C		Screw $\varnothing 4 \times 5/8$ "
D		Screw $\varnothing 4 \times 1 \frac{3}{16}$ "
E		135° Metal Clip
F		Shelf Clip
G		Hinges
H		Bumper

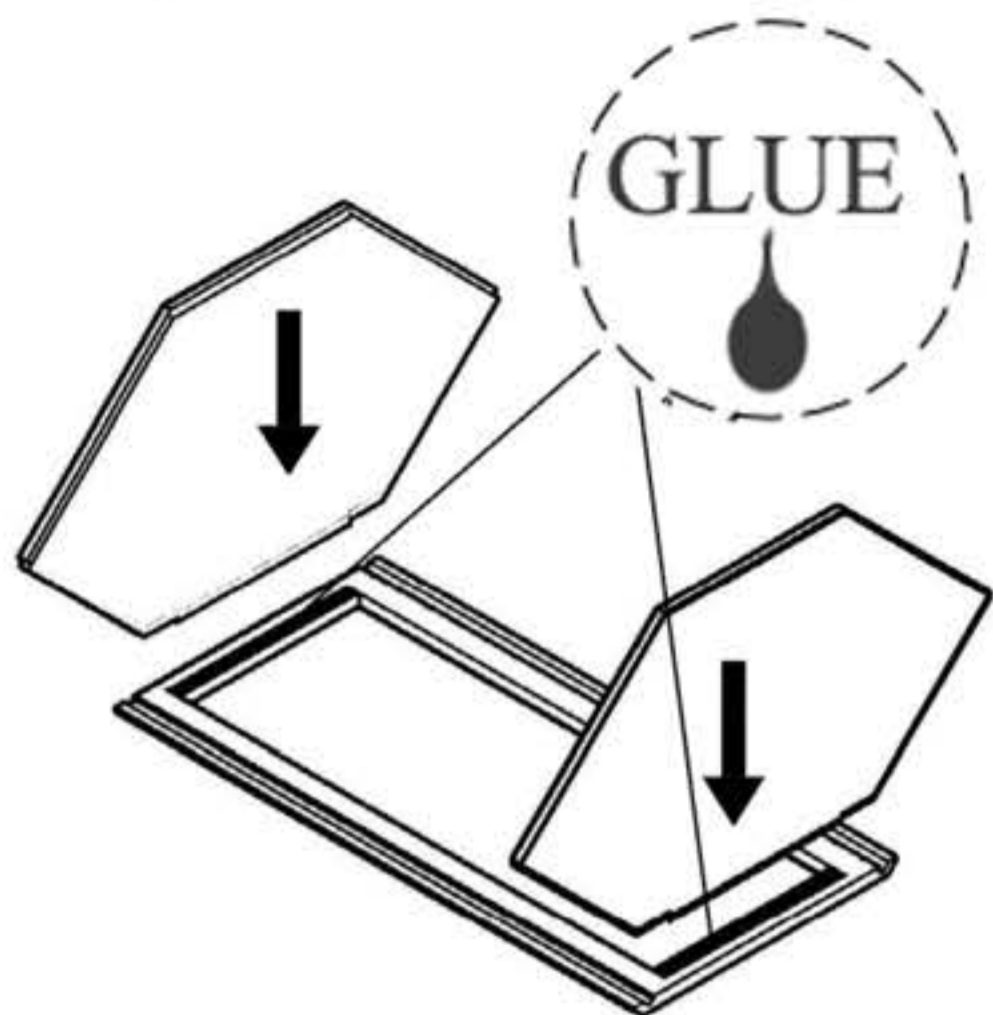
Note- Some parts may vary slightly

<p>1</p>  <p>Door</p>	<p>2</p>  <p>Face Frame</p>	<p>3</p>  <p>Left Face Side Panel</p>	
<p>4</p>  <p>Right Face Side Panel</p>	<p>5</p>  <p>Left Back Side Panel</p>	<p>6</p>  <p>Right Back Side Panel</p>	
<p>7</p>  <p>Top Panel</p>	<p>8</p>  <p>Bottom Panel</p>	<p>9</p>  <p>Back Panel</p>	
		<p>10</p>  <p>Shelf</p>	
			 <p>A B C D</p>

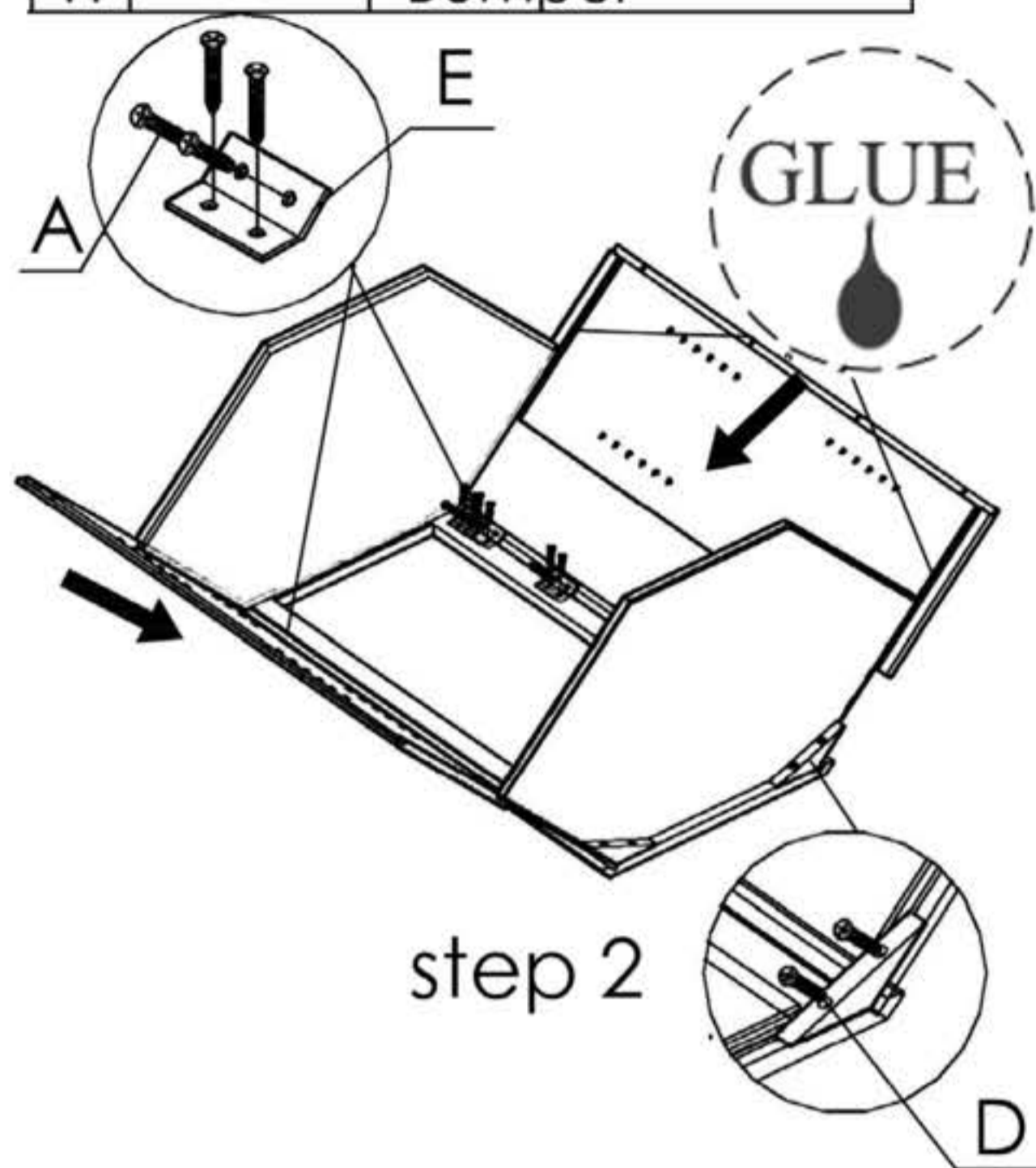
# Assembly instructions

No	Picture	Specification
A		Screw $\varnothing 3 \times 1/2''$
B		Screw $\varnothing 3 \times 5/8''$
C		Screw $\varnothing 4 \times 5/8''$
D		Screw $\varnothing 4 \times 1 \frac{3}{16}''$

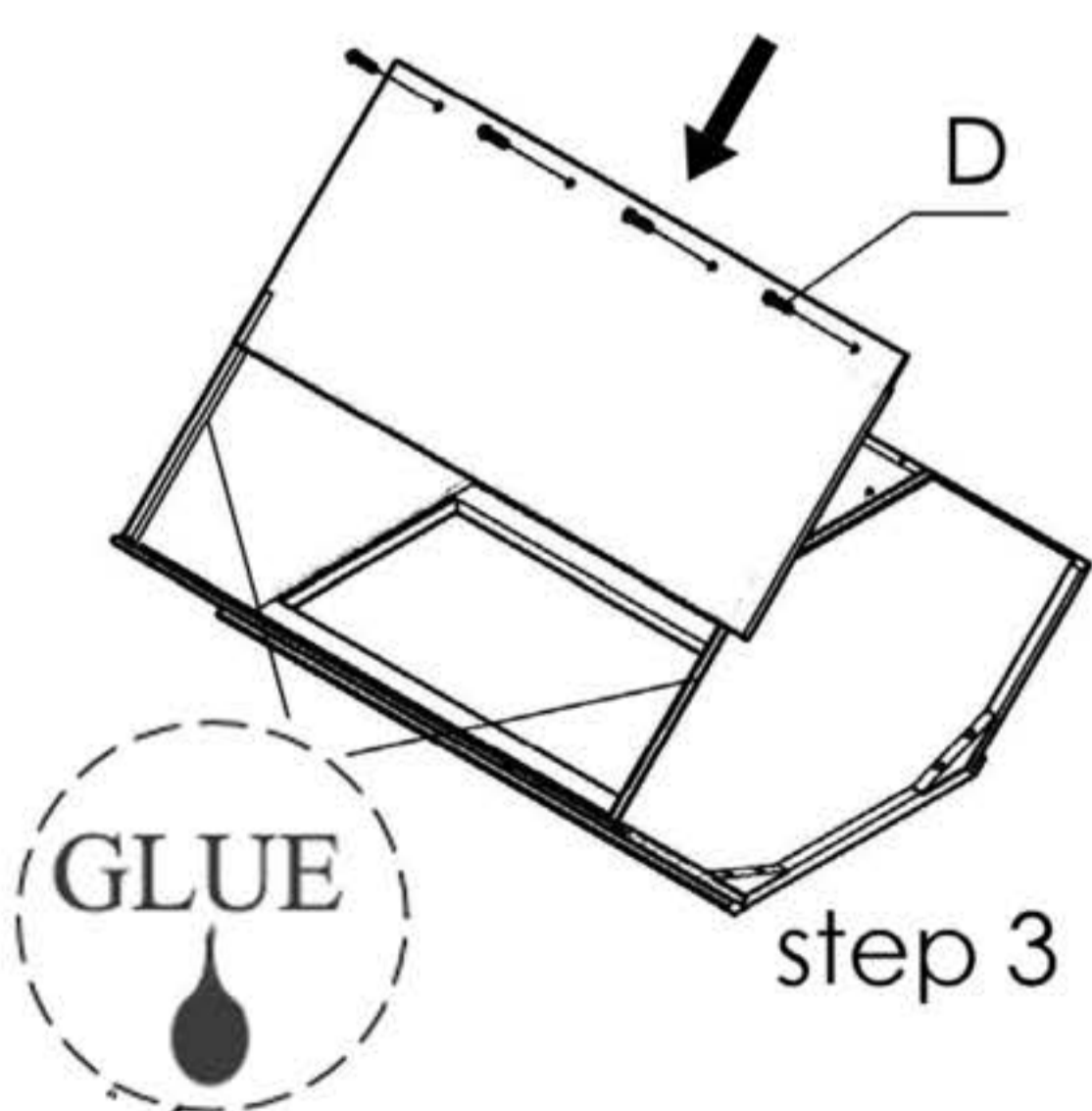
No	Picture	Specification
E		135° Metal Clip
F		Shelf Clip
G		Hinges
H		Bumper



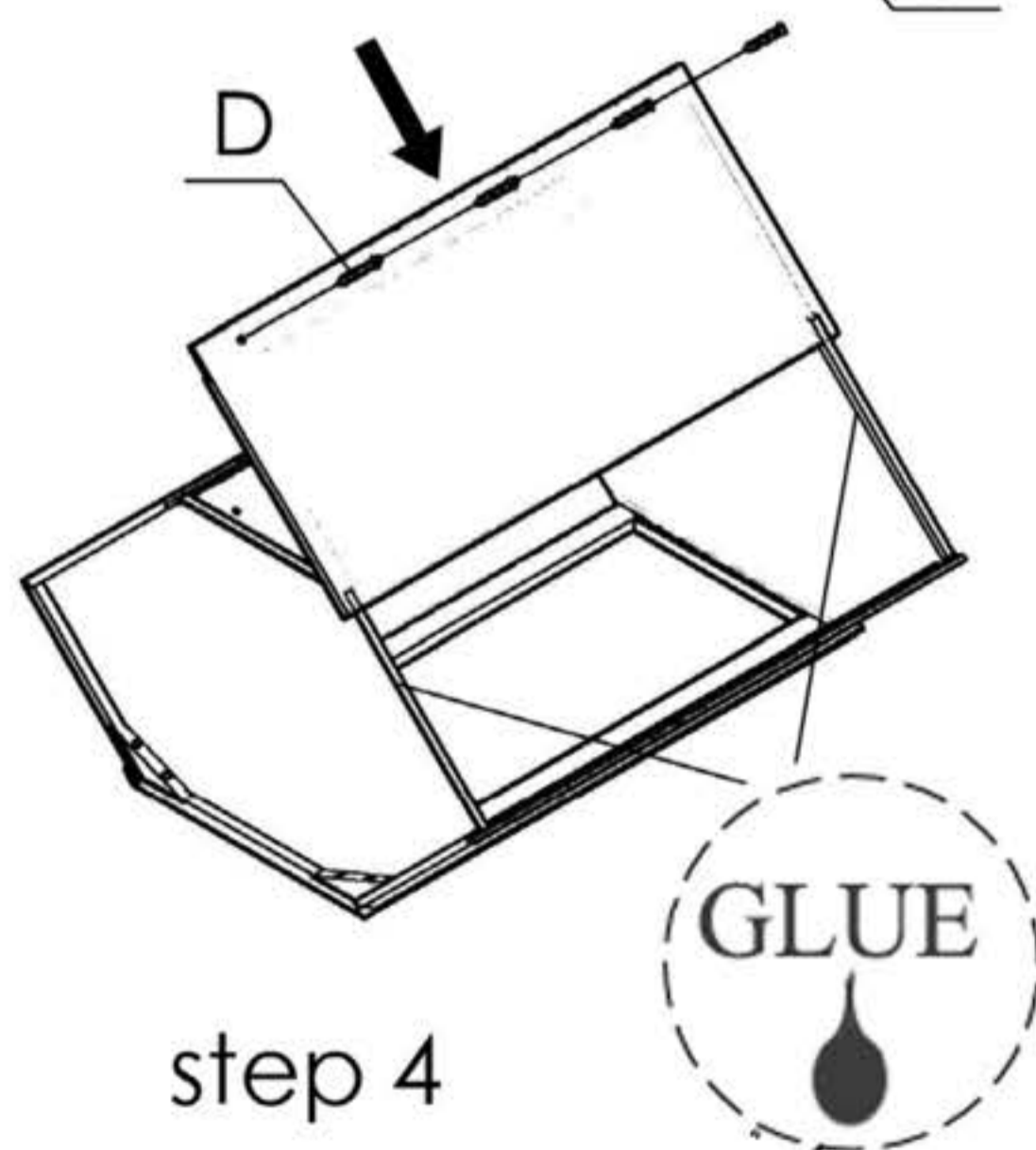
step 1



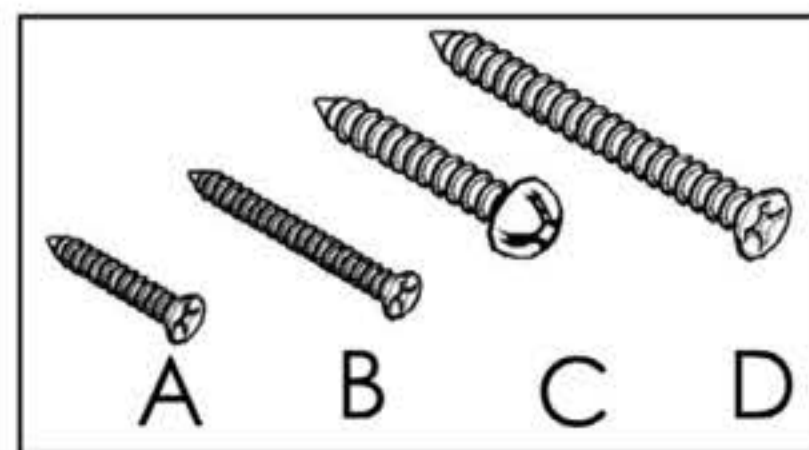
step 2

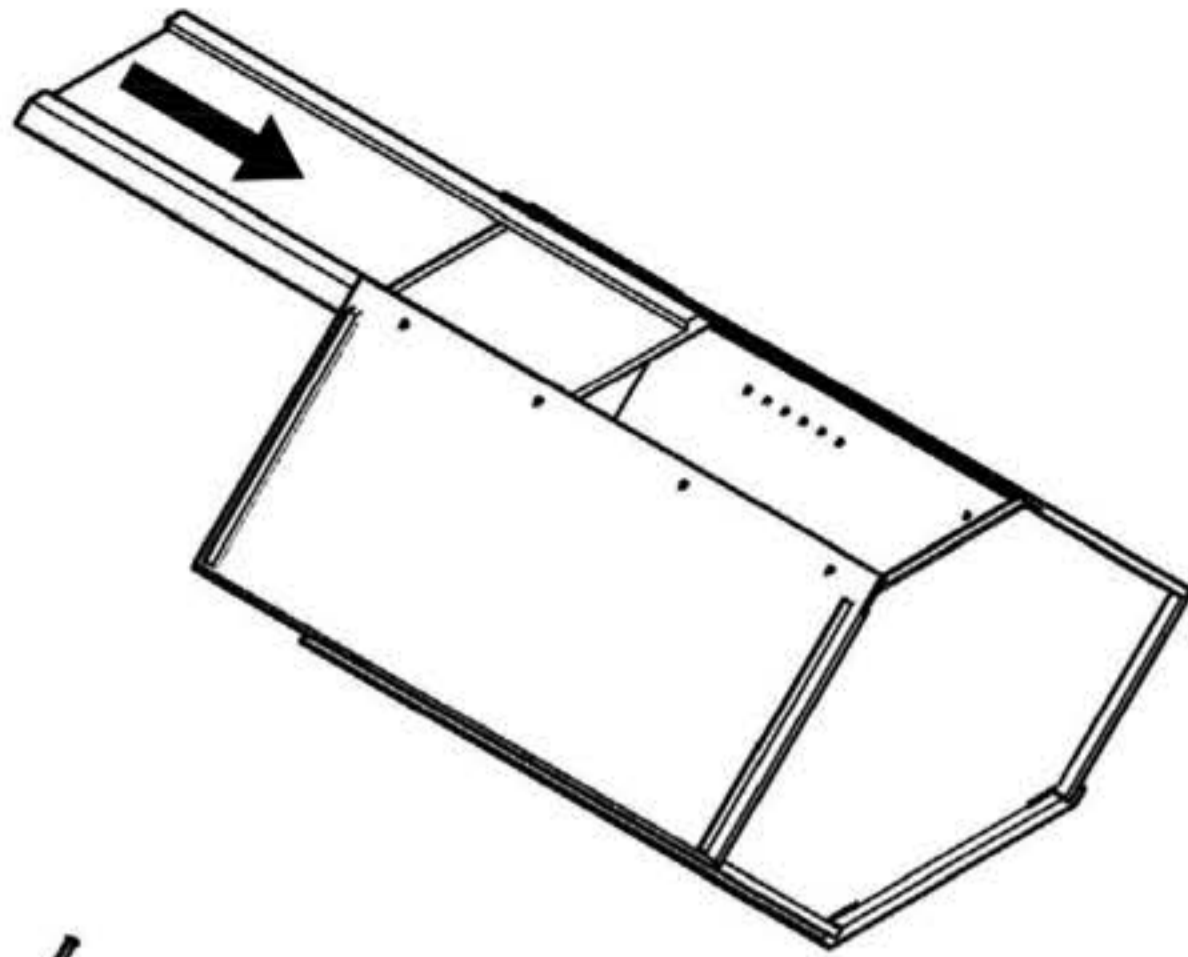


step 3

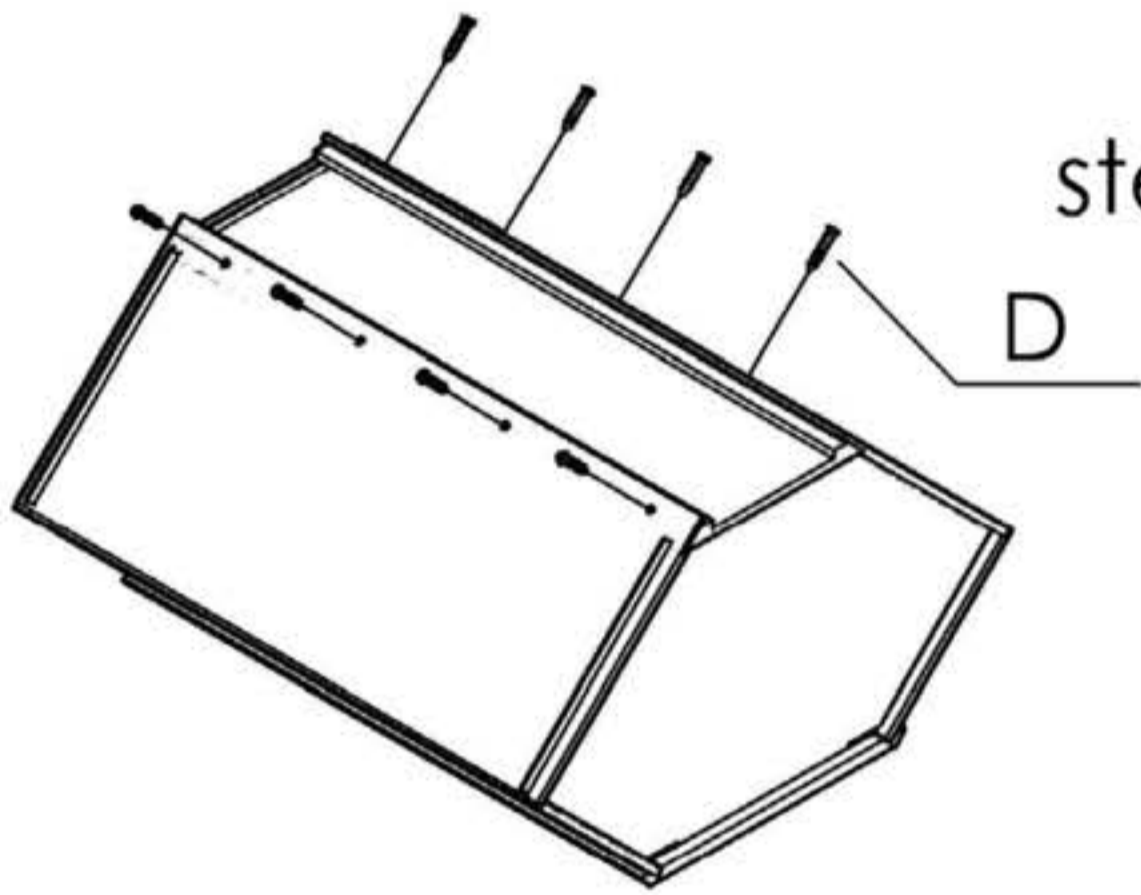


step 4

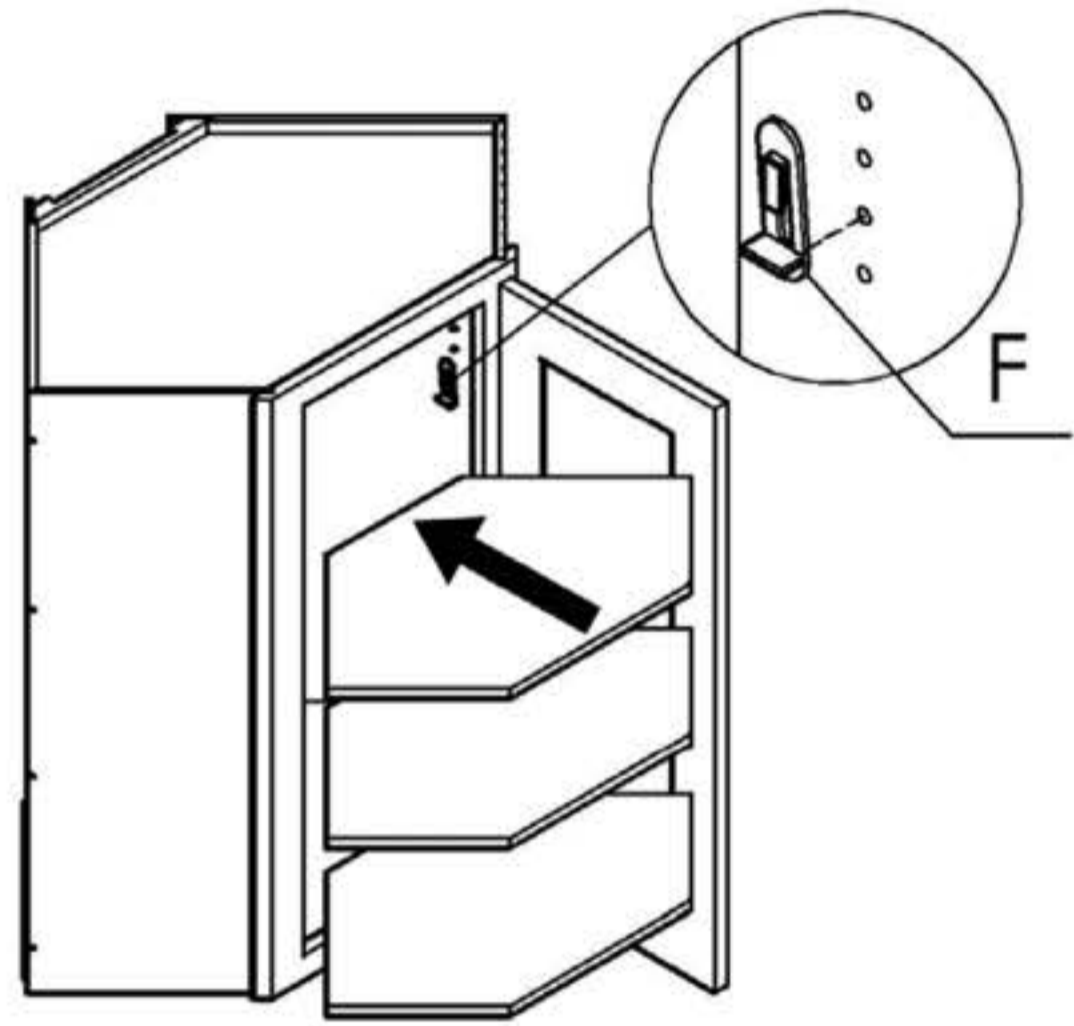




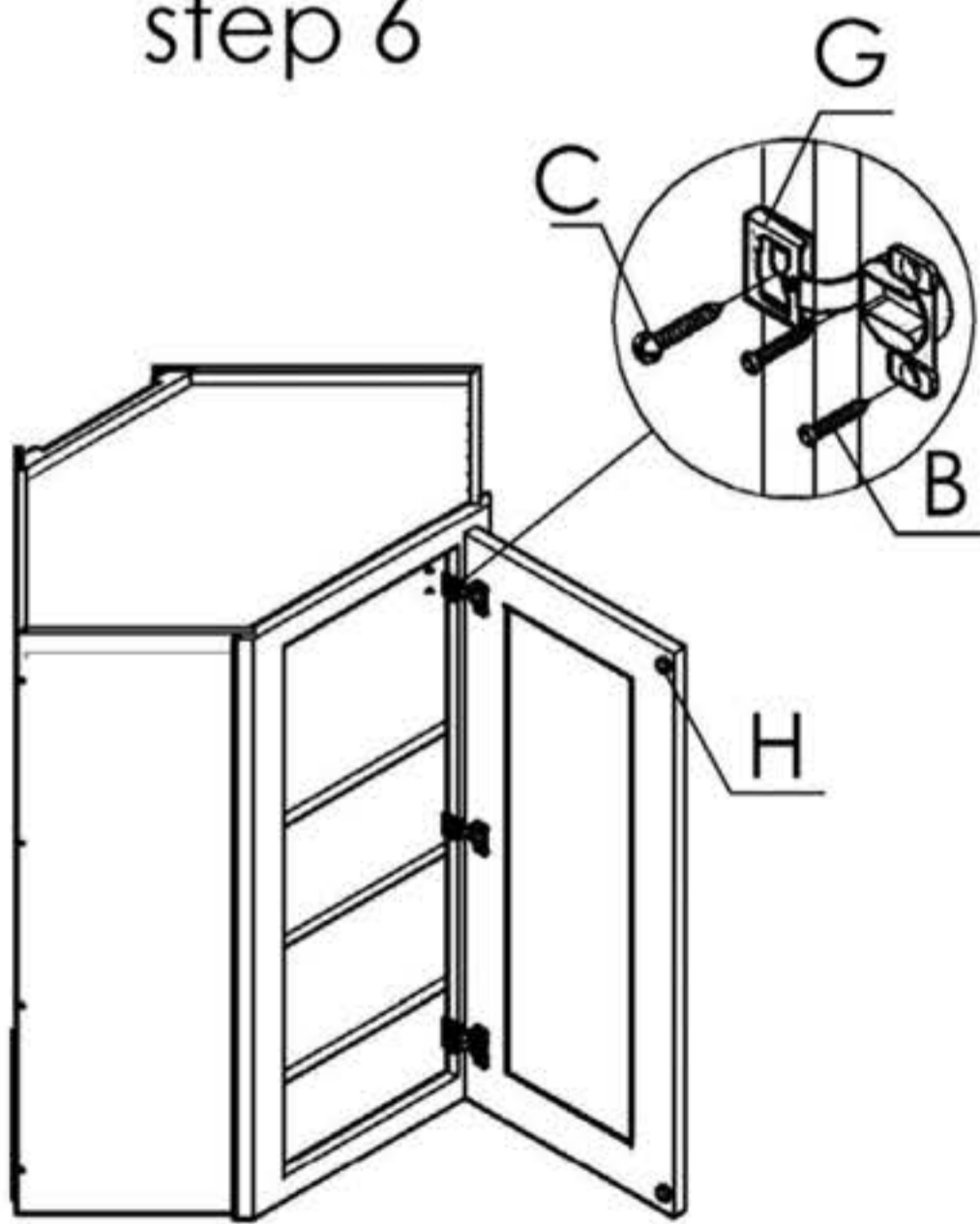
step 5



step 6



step 7



step 8

